



ROLLINGROOF – BIOCLIMATIC-SMARTROOF



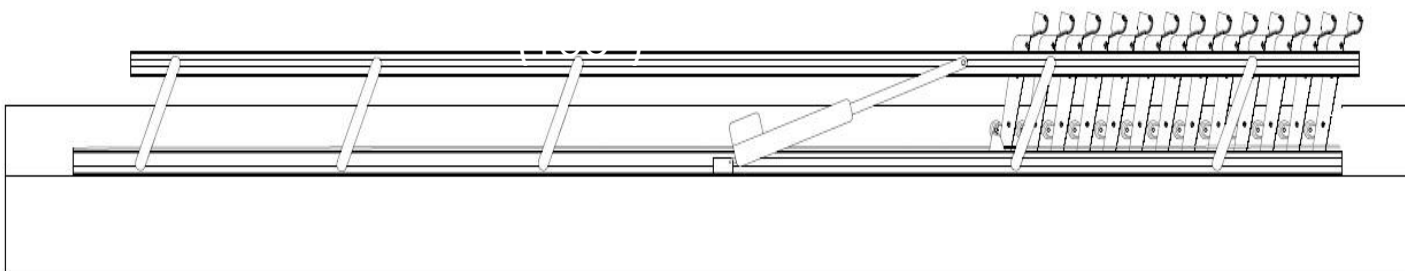
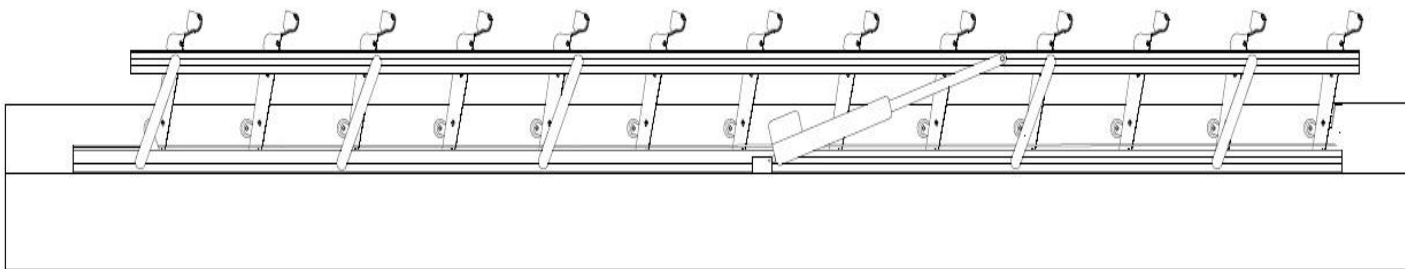
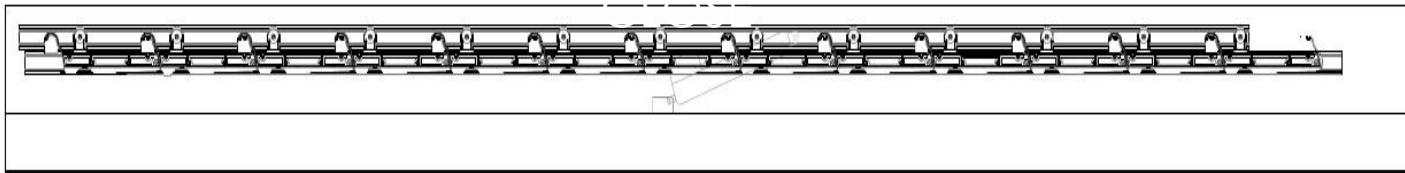
ROLLINGROOF – BIOCLIMATIC-SMARTROOF



CLOSED BOTTOM VIEW

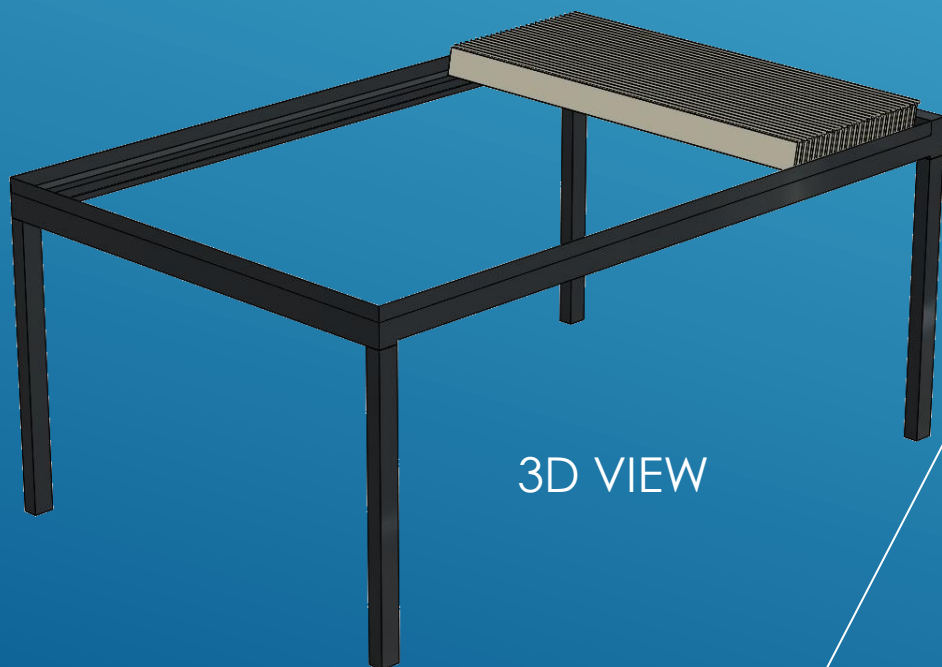
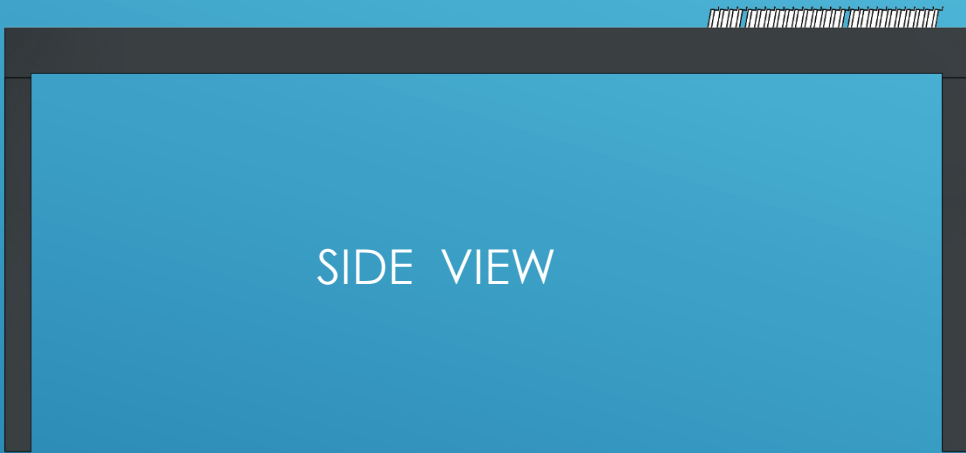
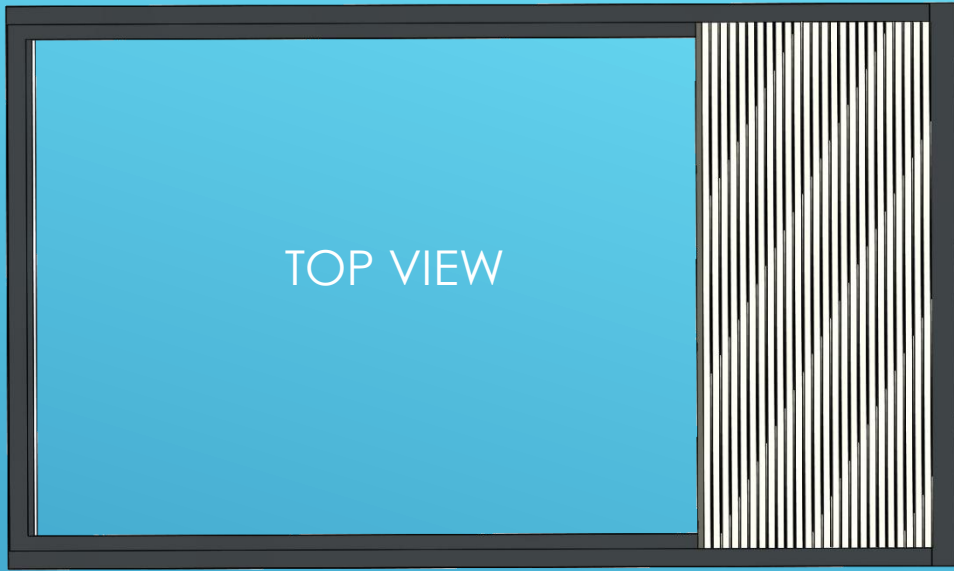


TILT BOTTOM VIEW

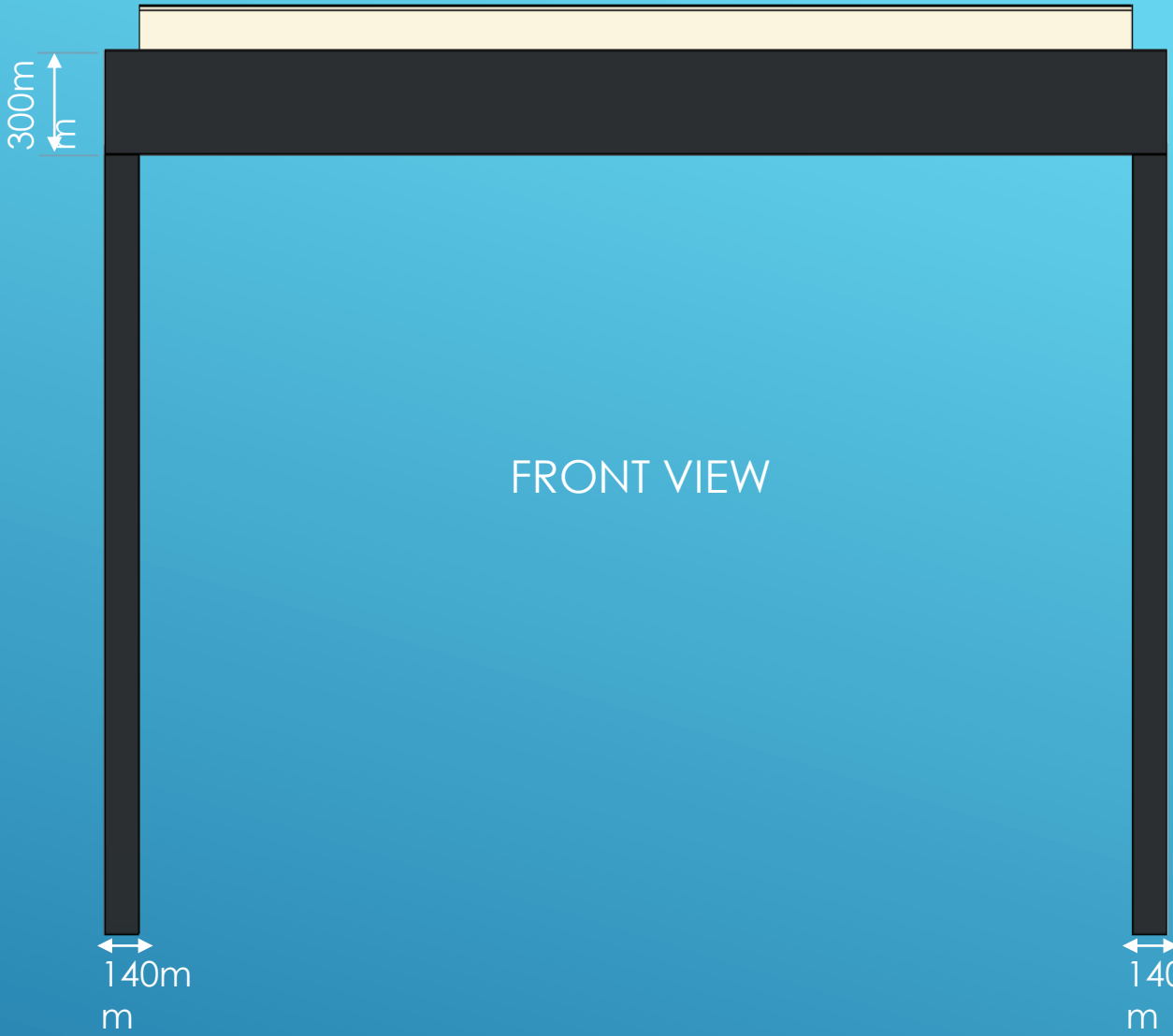


- THE LOUVERS FIRSTLY TILT  $105^\circ$  BY TWO BOTH SIDE MOTORS
- LESS THEN  $24\text{m}^2$  IS WORKING WITH 2 LINEAR MOTOR
- MORE THAN  $24\text{m}^2$  IS WORKING WITH 4 LINEAR MOTOR
- THE LOUVERS SECONDLY MOVE TO BACK BY MAIN MOTOR
- SYSTEM MAY USE ONLY TILT TOO
- SYSTEM IS POSSIBLE TO INSTAL FLAT (  $0^\circ$  SLOPY OR  $\%5$  SLOPY)
- MAXIMIM WIDTH 7,5m
- MAXIMUM PROJECTION 8m
- IT HAS TO BE USE BEAM BIGGER THAN 3,5m WIDTH
- MAXIMUM  $\text{m}^2$  45
- FOAM IS POSSIBLE TO INSERT IN LOUVER
- MOTOR BOX HEIGHT IS 30cm
- LED LIGHT POSSIBLE TO USE

WITHOUT BEAM VISIBLE

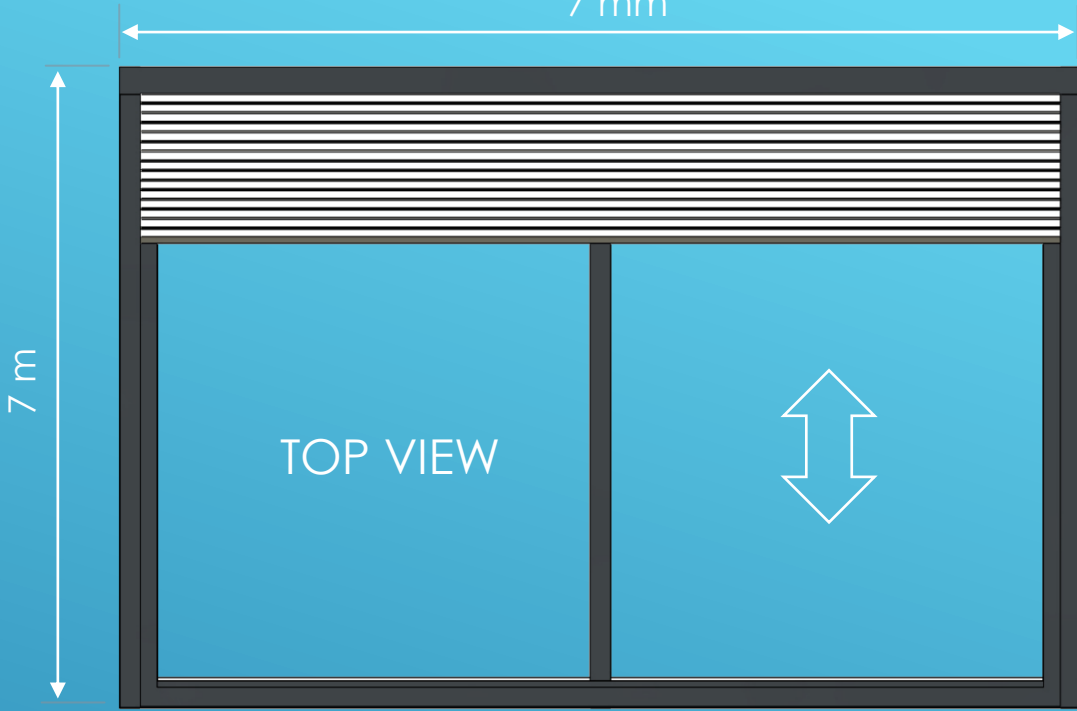


WITHOUT BEAM VISIBLE

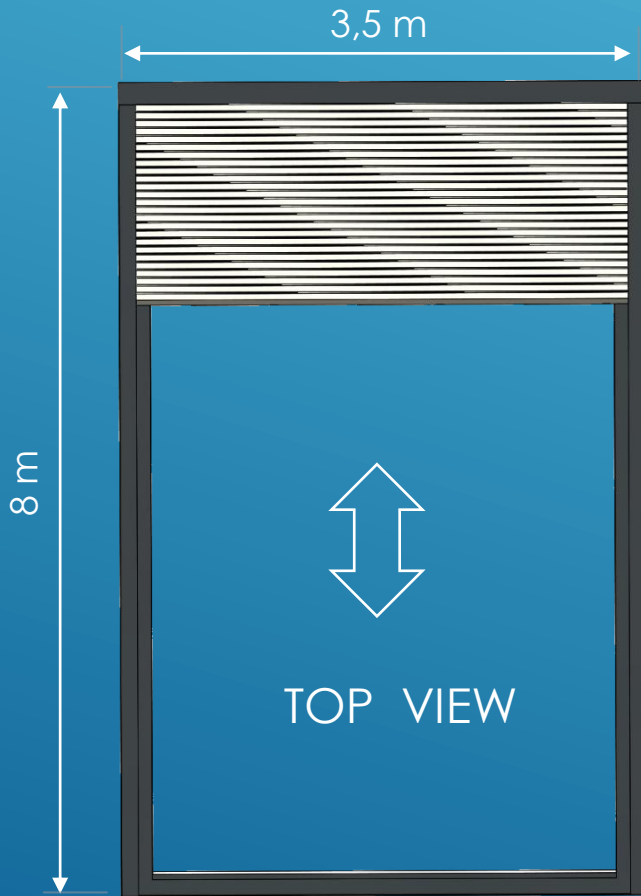


MAXIMUM  
SIZE

7 mm

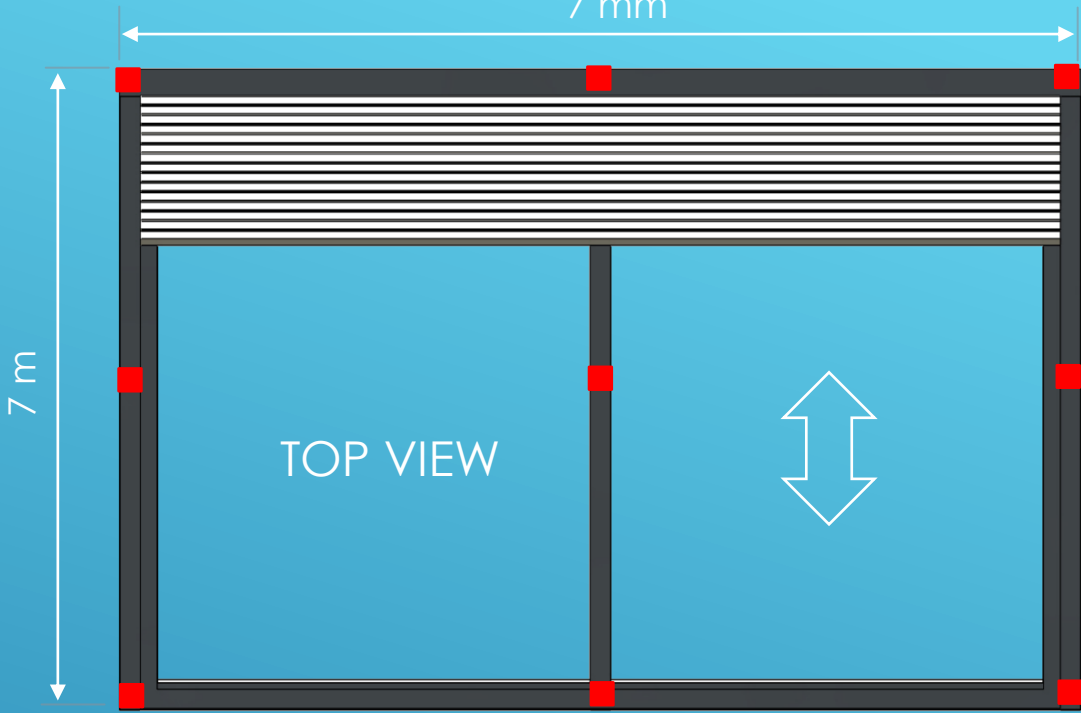


3,5 m

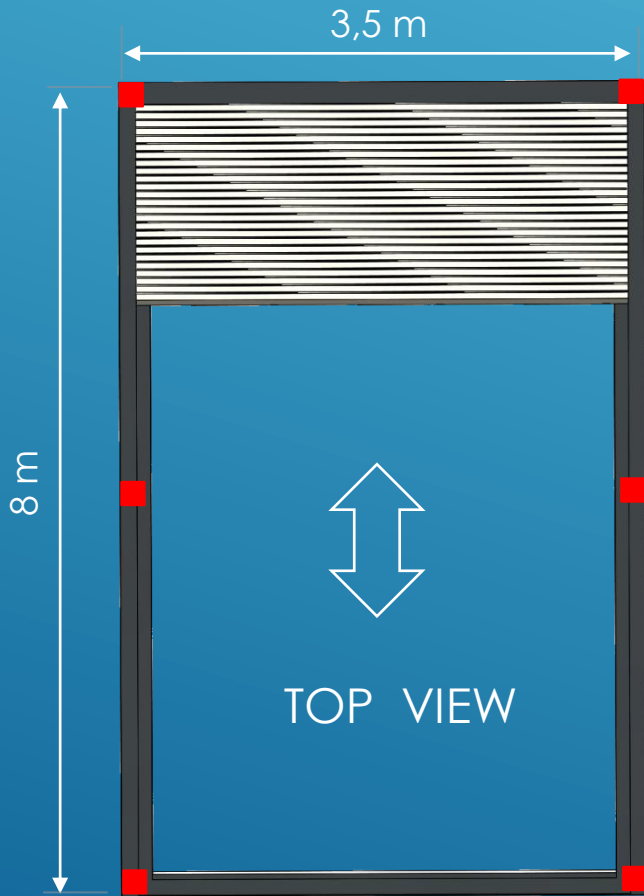


MAXIMUM  
SIZE

7 m

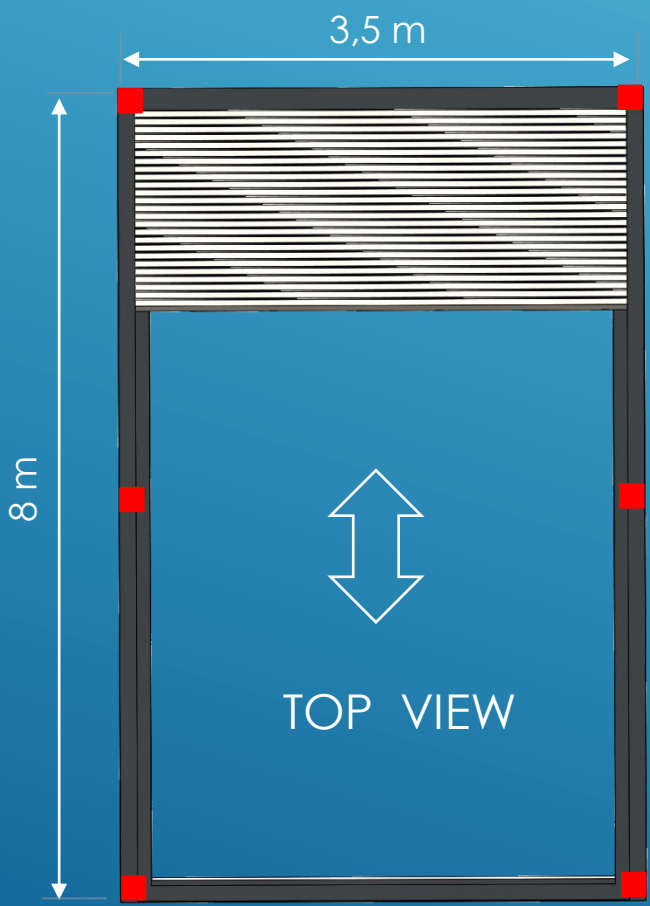
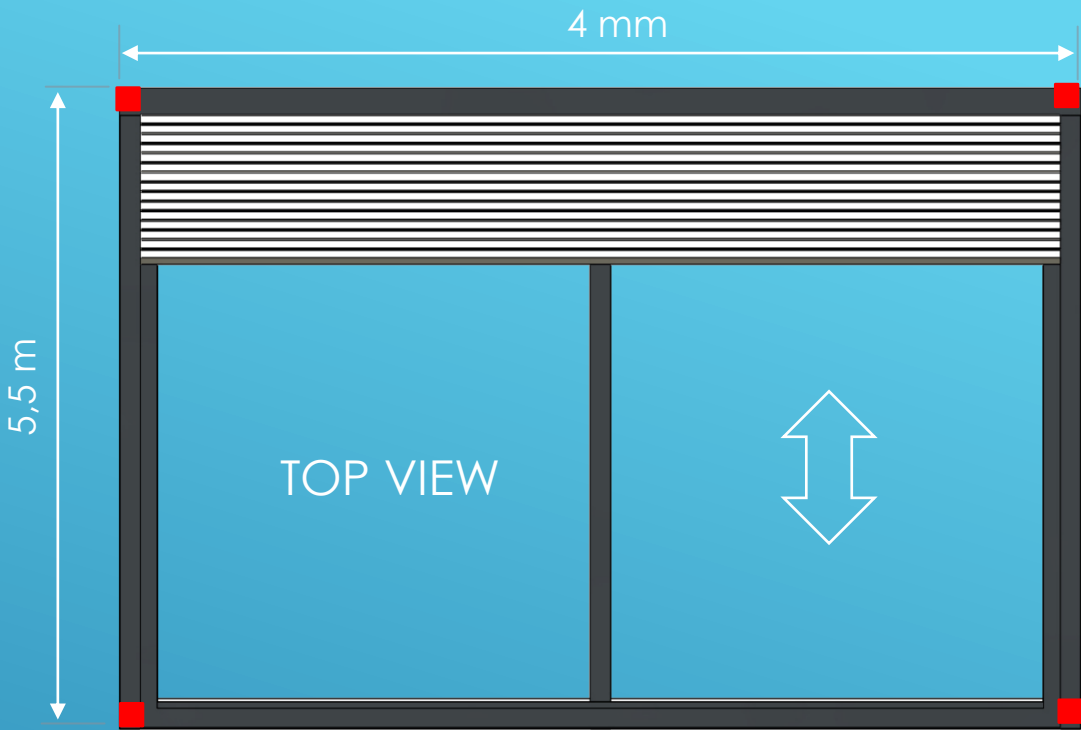


3,5 m



PILLAR



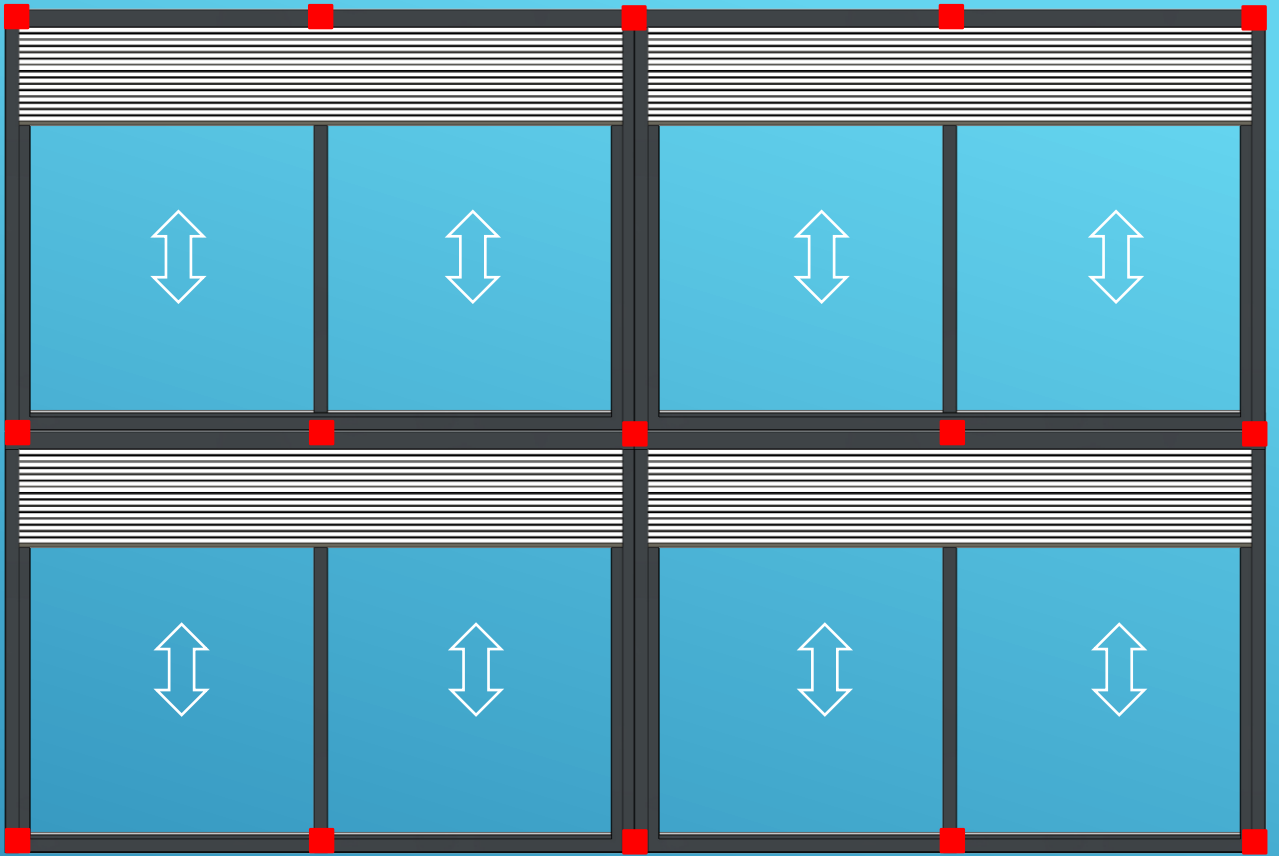


 PILLAR



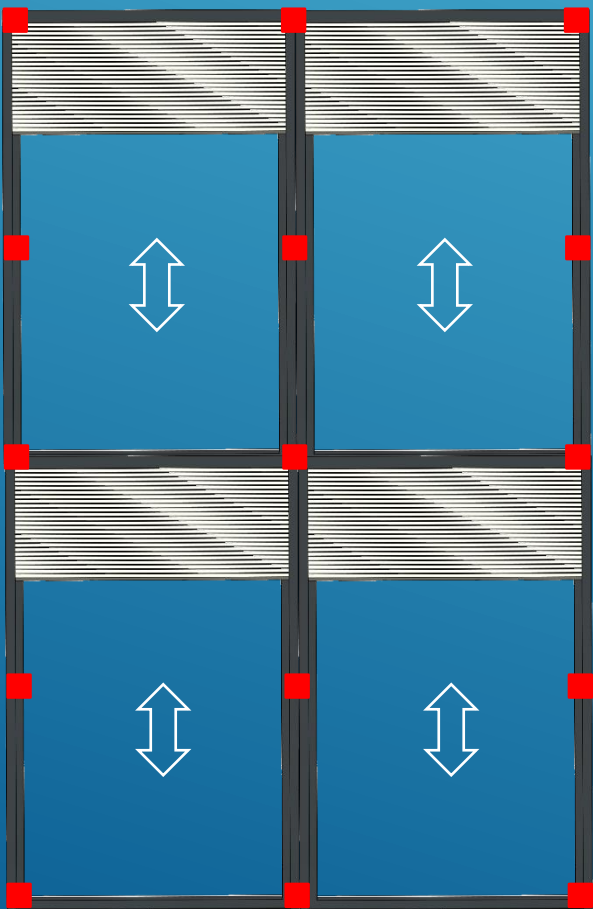


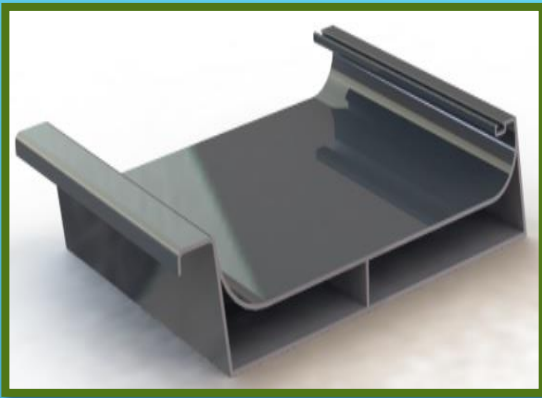
# PILLAR VIEW



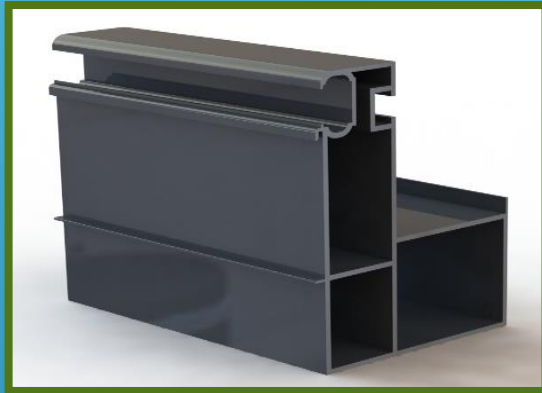
PILLAR

**NOT: THE SYSTEM POSSIBLE TO BE  
WITHOUT PILLAR INTERIOR AREA IF IT  
USE STEEL STRUCTURE**

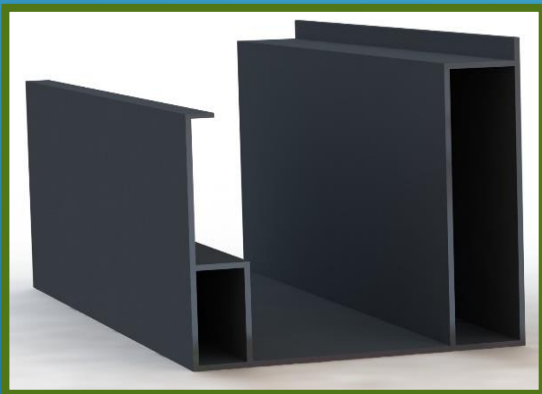




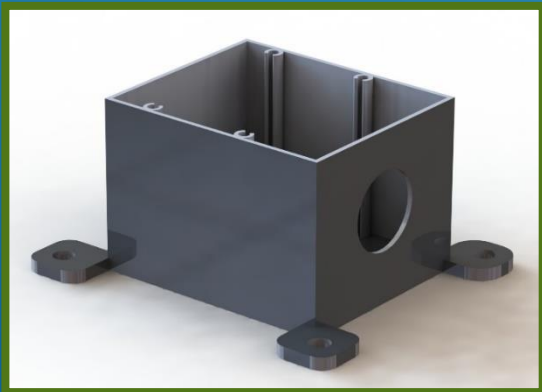
**LOUVER 280mm x 60mm**



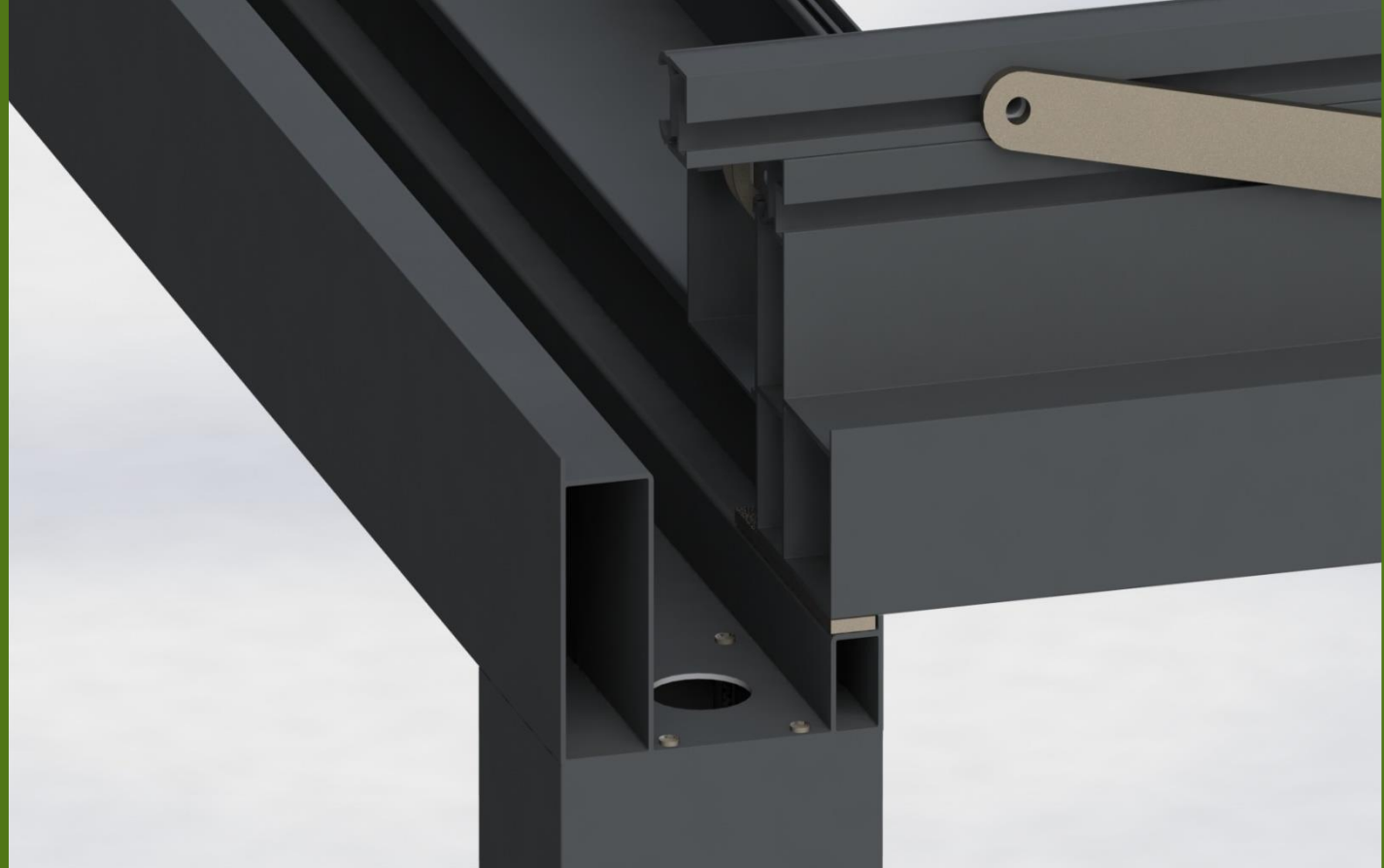
**RAIL 180mm x 130mm**



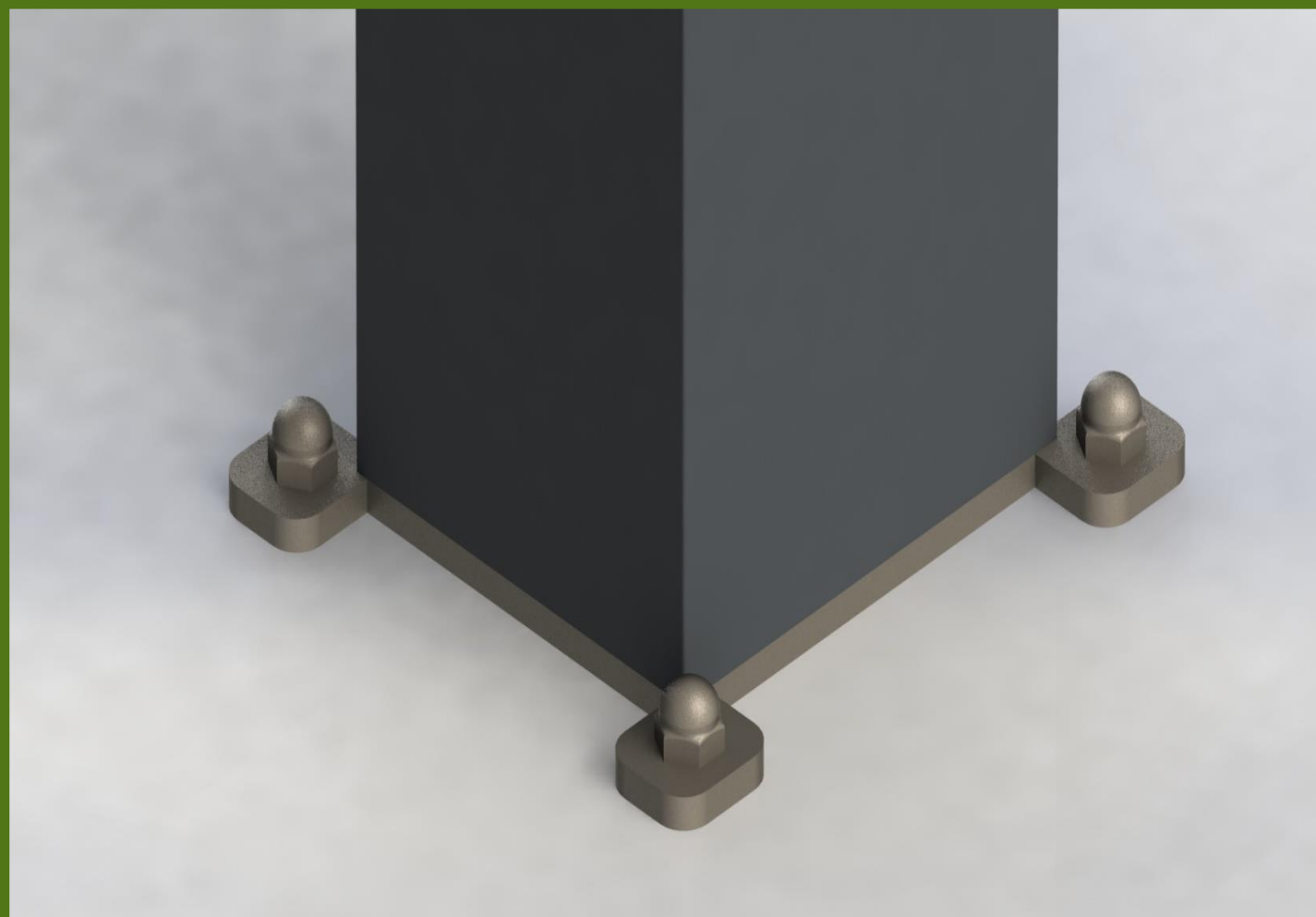
**GUTTER 160mm x 140mm**



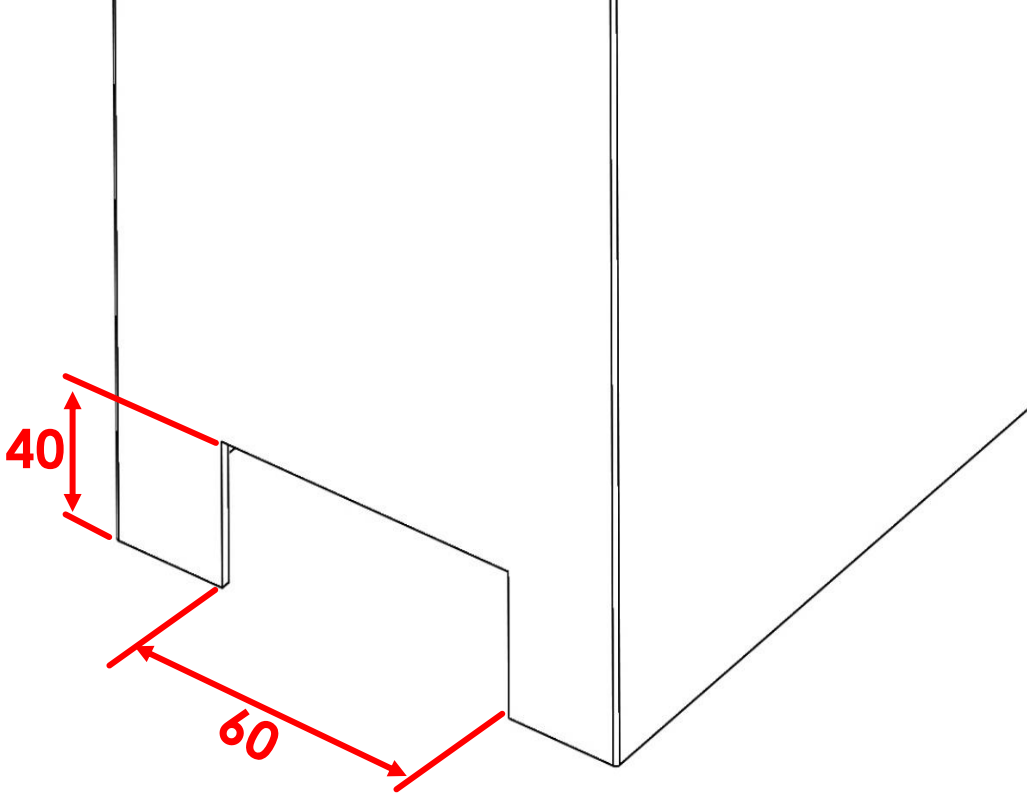
**PILLAR 160mm x 140mm**



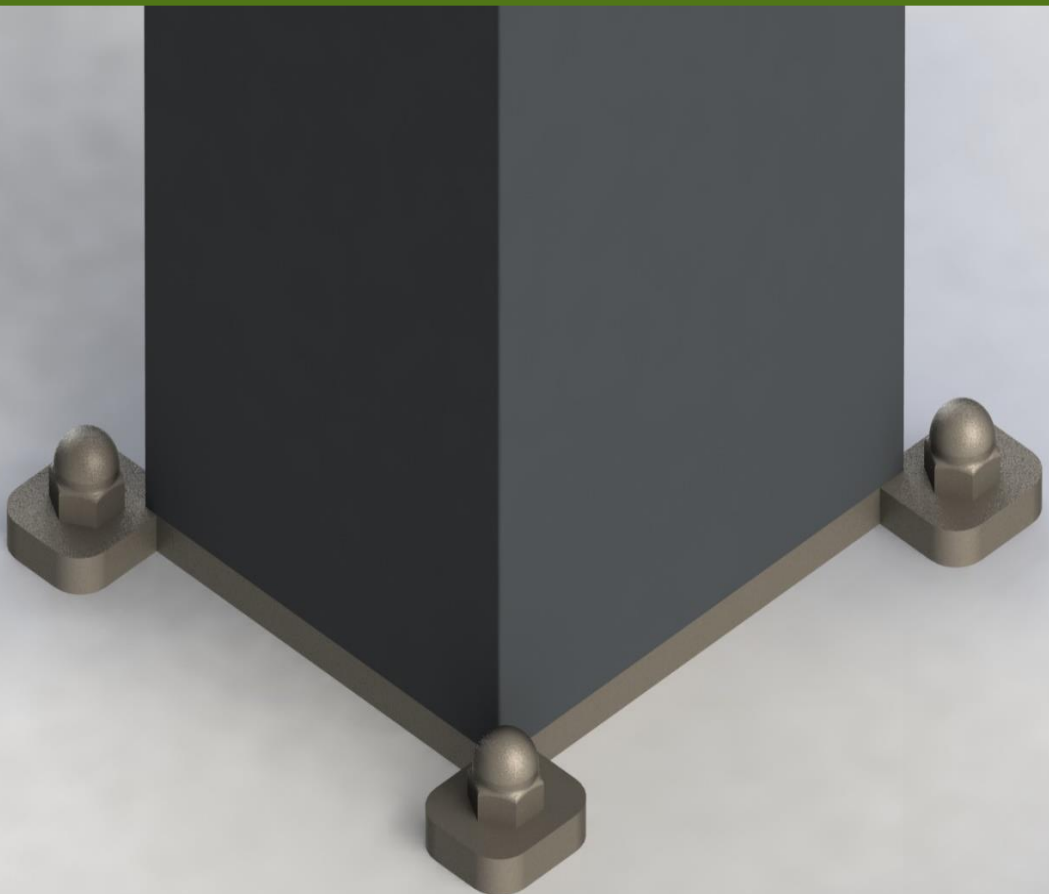
CORNER FIXED DETAIL



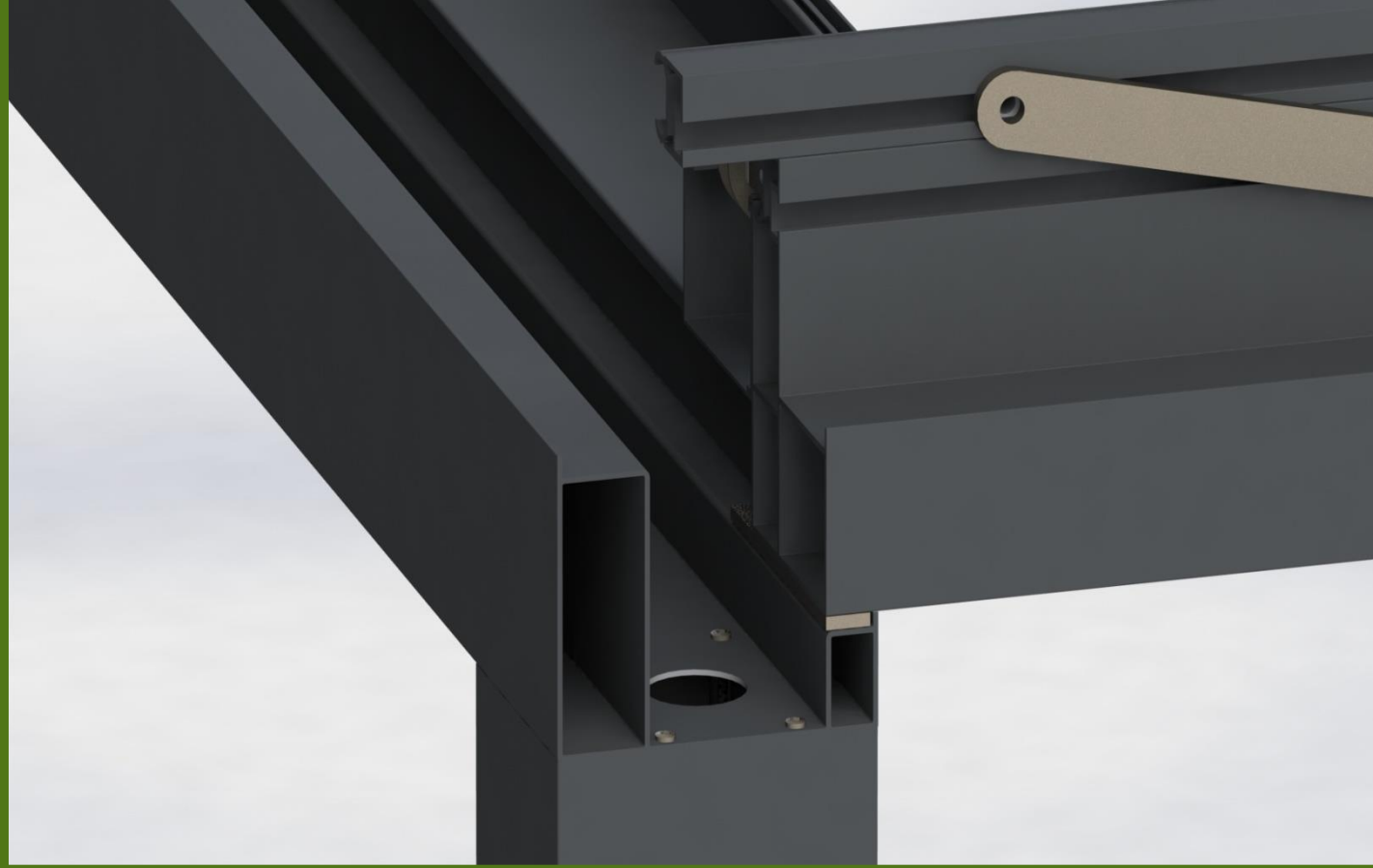
PILLARXED DETAIL



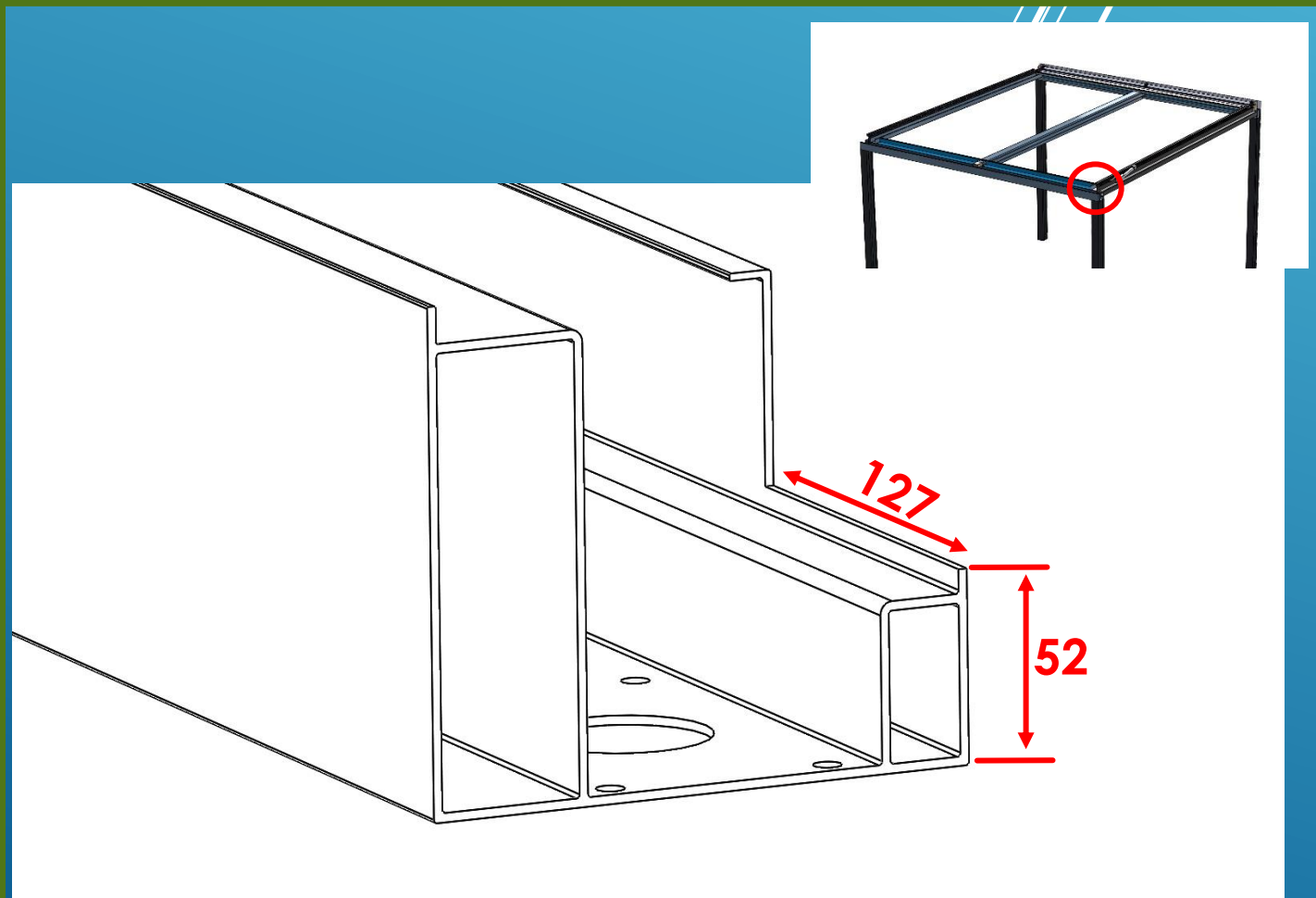
PILLAR CUTING DETAIL- PILLAR DRAINAGE



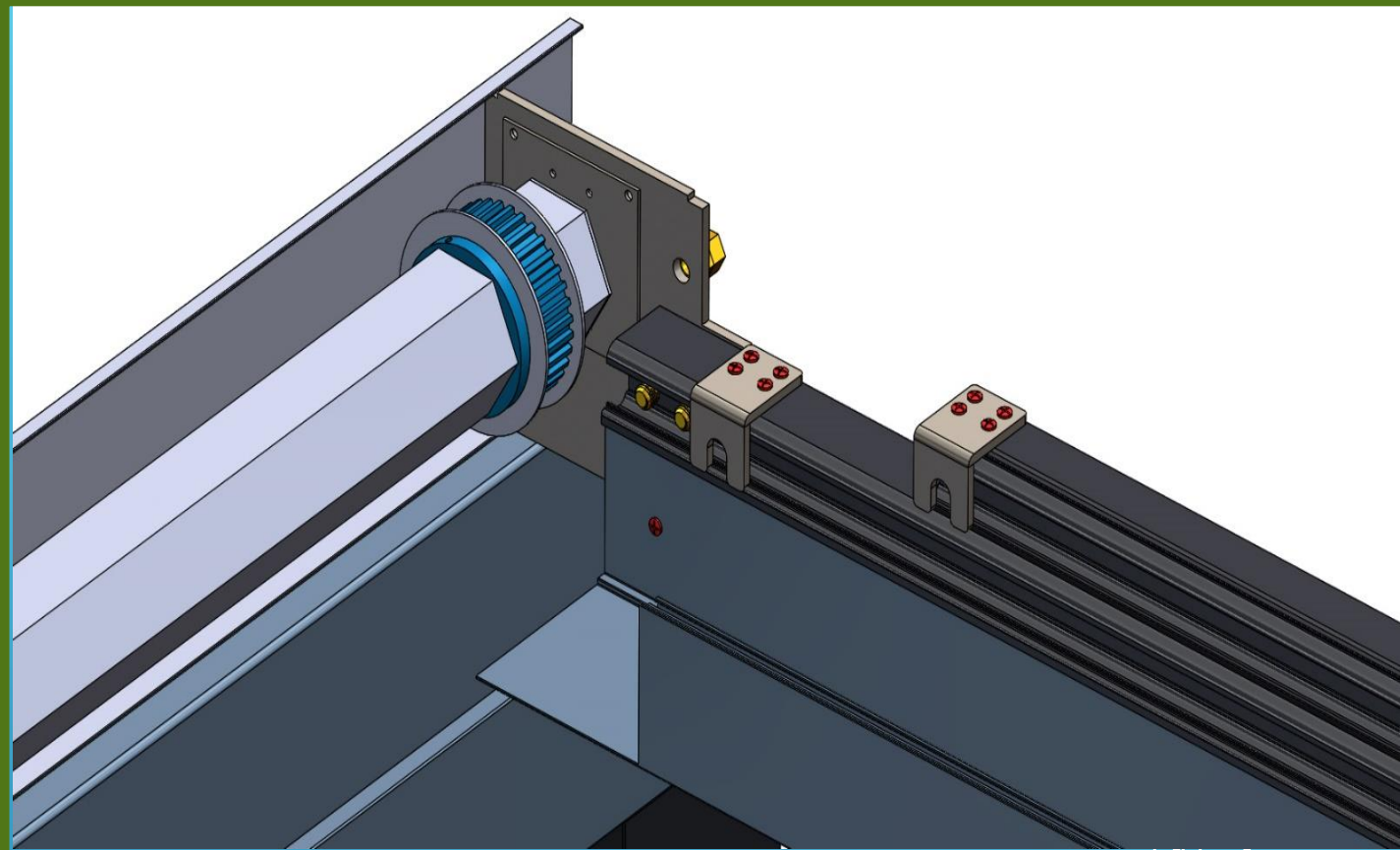
PILLAR FIXED DETAIL



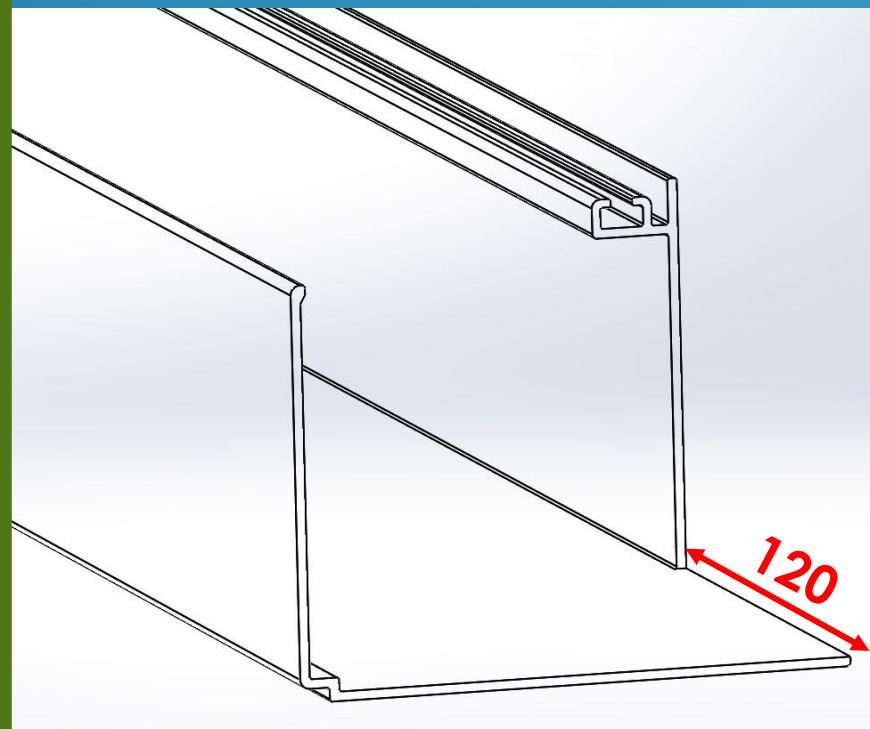
GUTTER CUTTING DETAIL

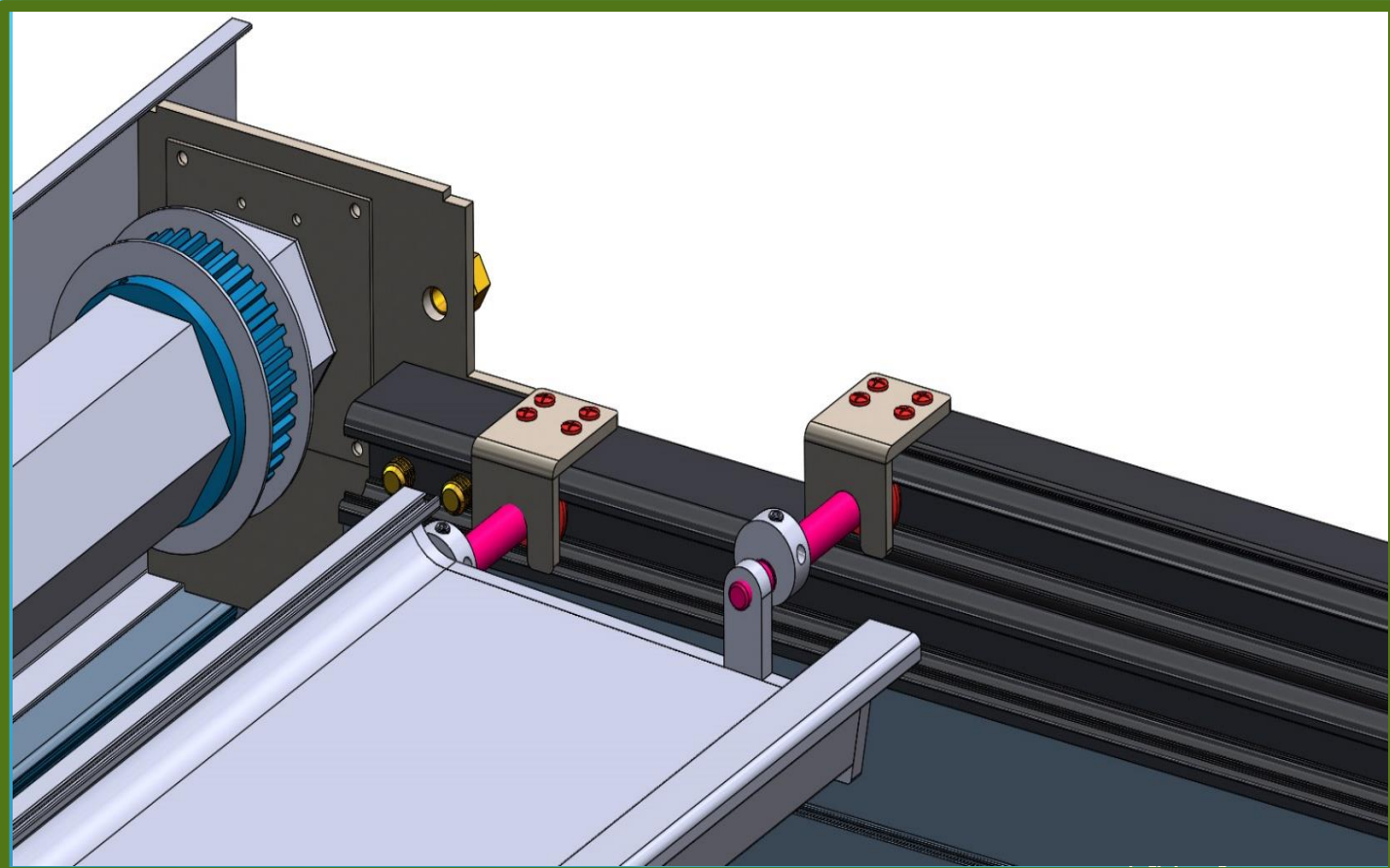


GUTTER FIXED DETAIL

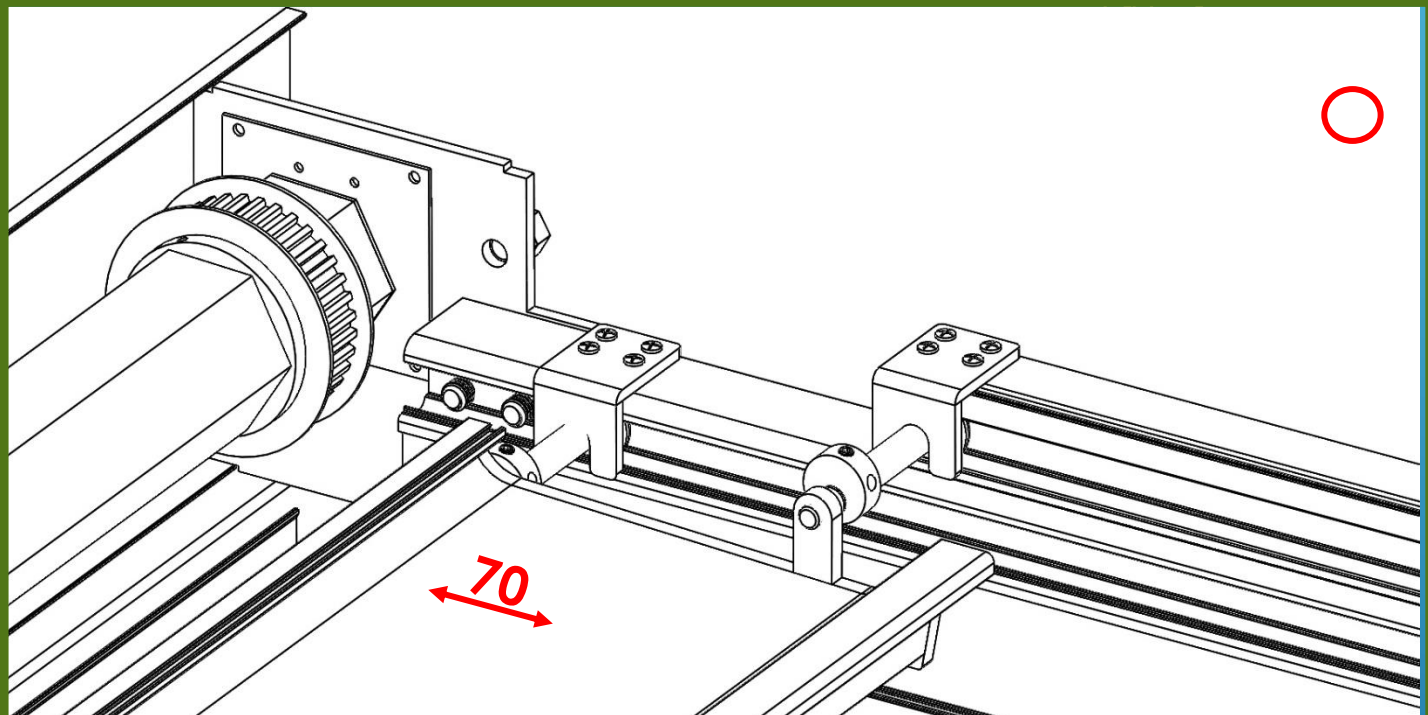


SIDE GUTER BACK CUTING DETAIL





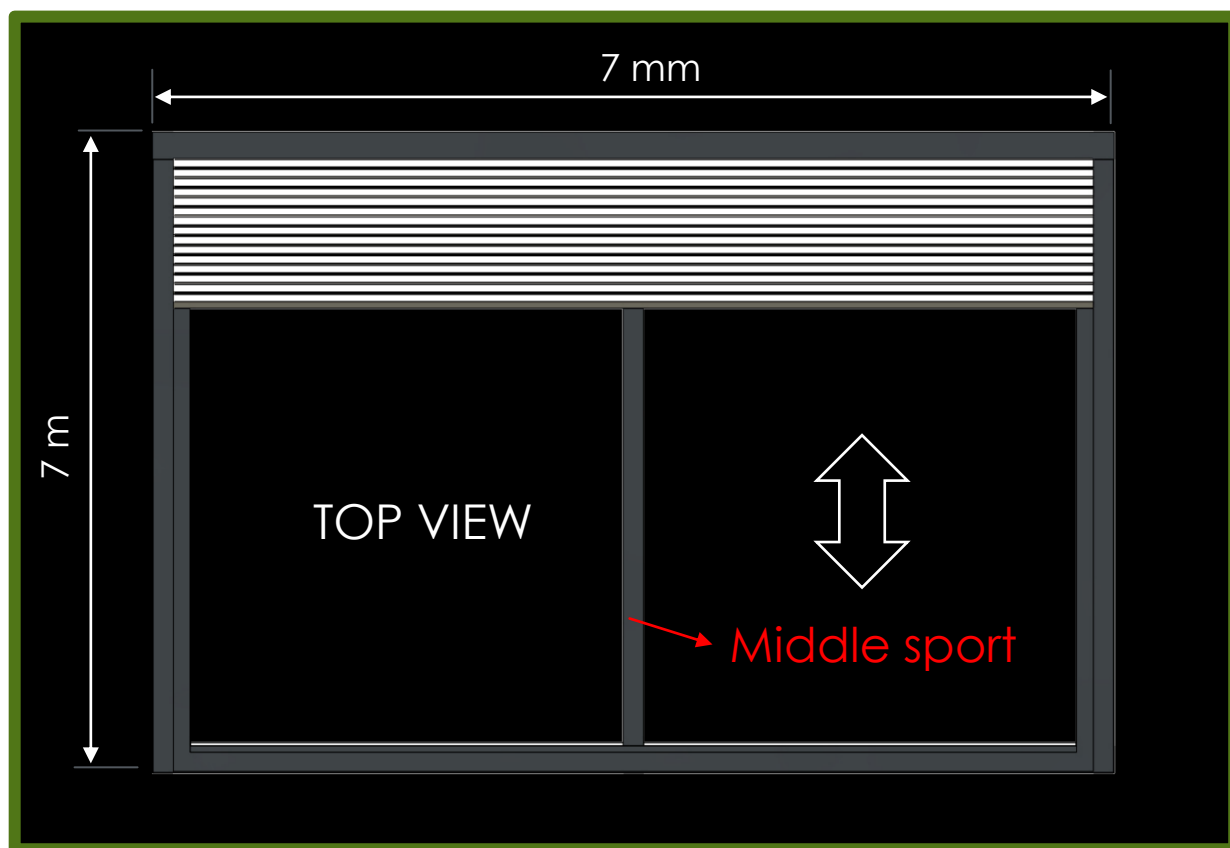
FIX LOUVER DETAIL



FIX LOUVER DETAIL

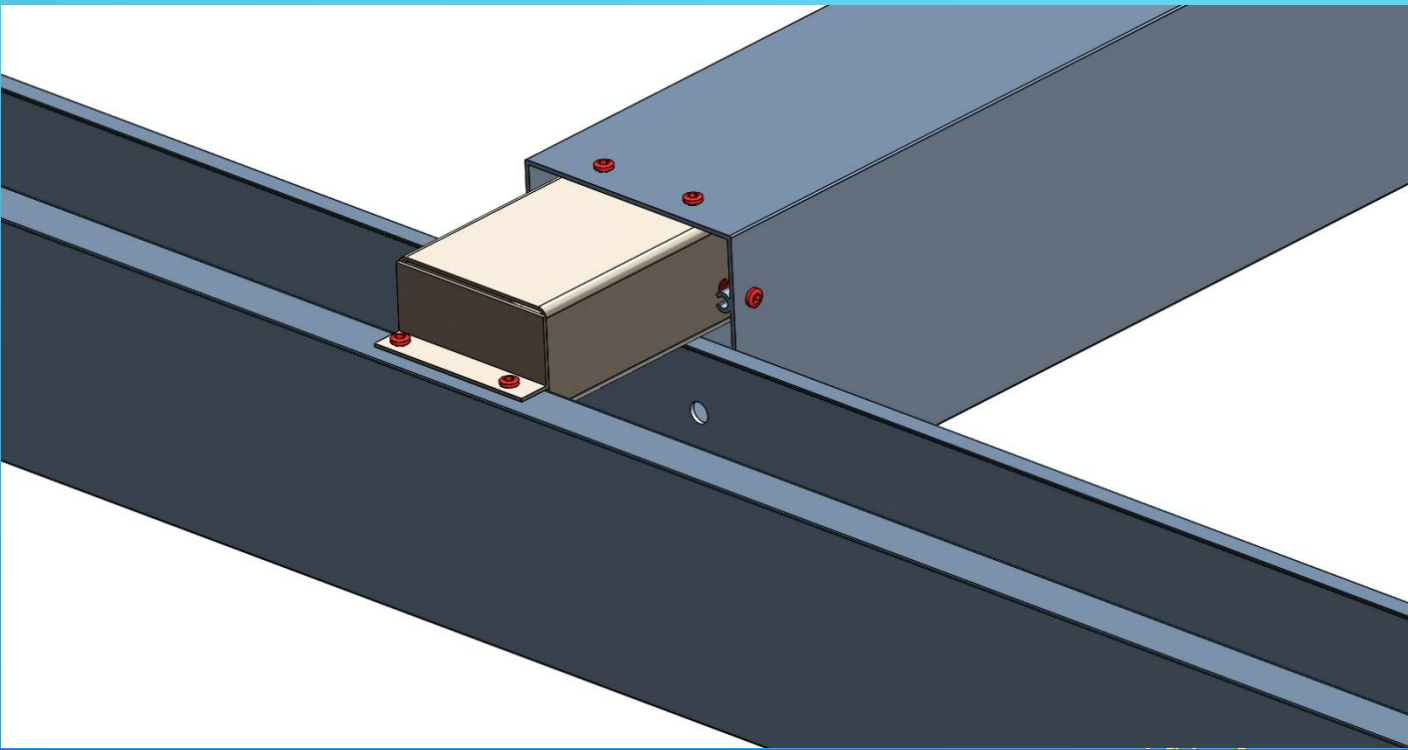
# WIDER THAN 4m MIDDLE SPORTS

ROLLINGROOF  
BIOCLIMATIC  
SMARTROOF

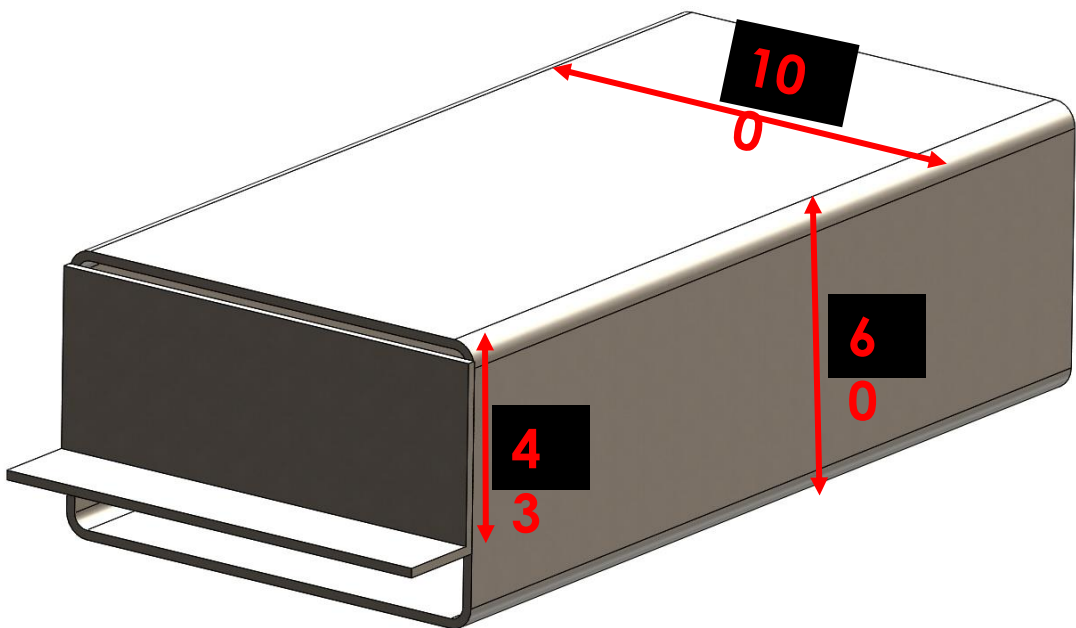




**NOT: FOR WIDER THAN 4000mm MIDDLE SPORT**

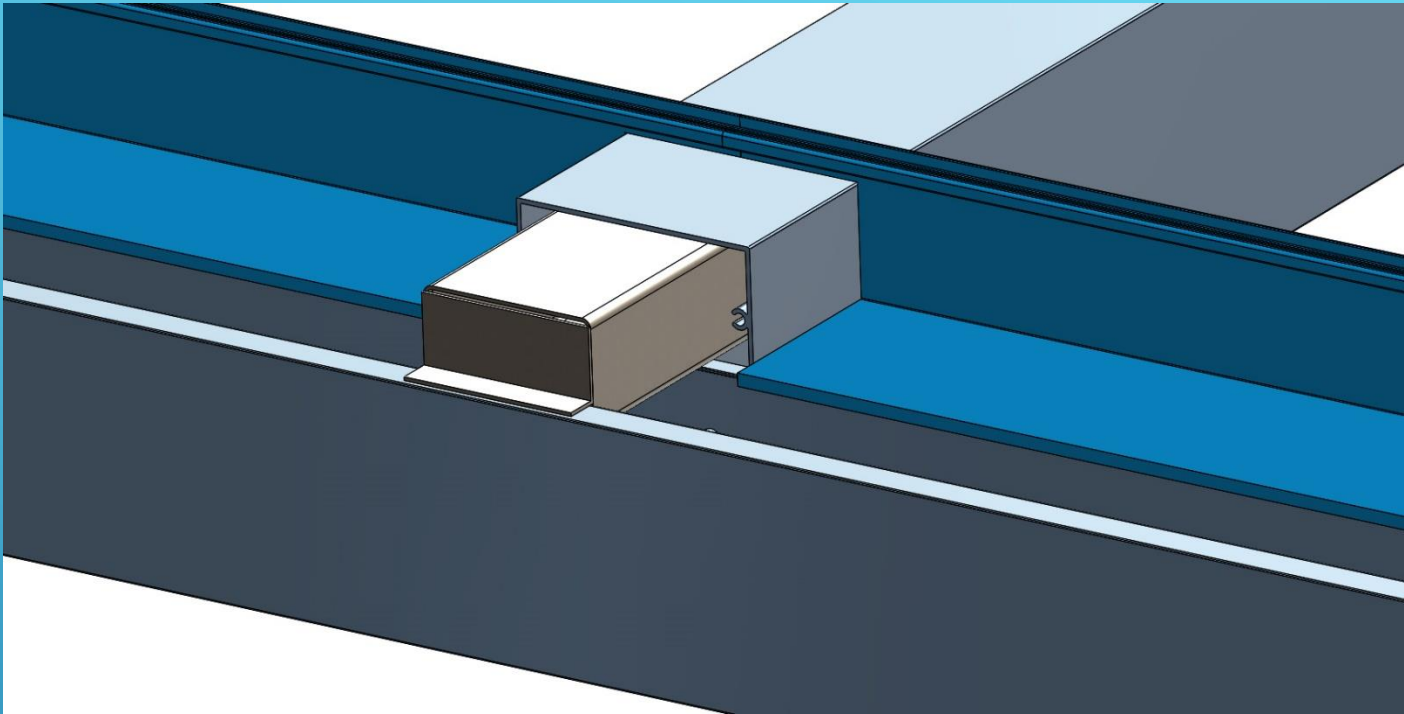


MIDDLE SPORT DETAIL

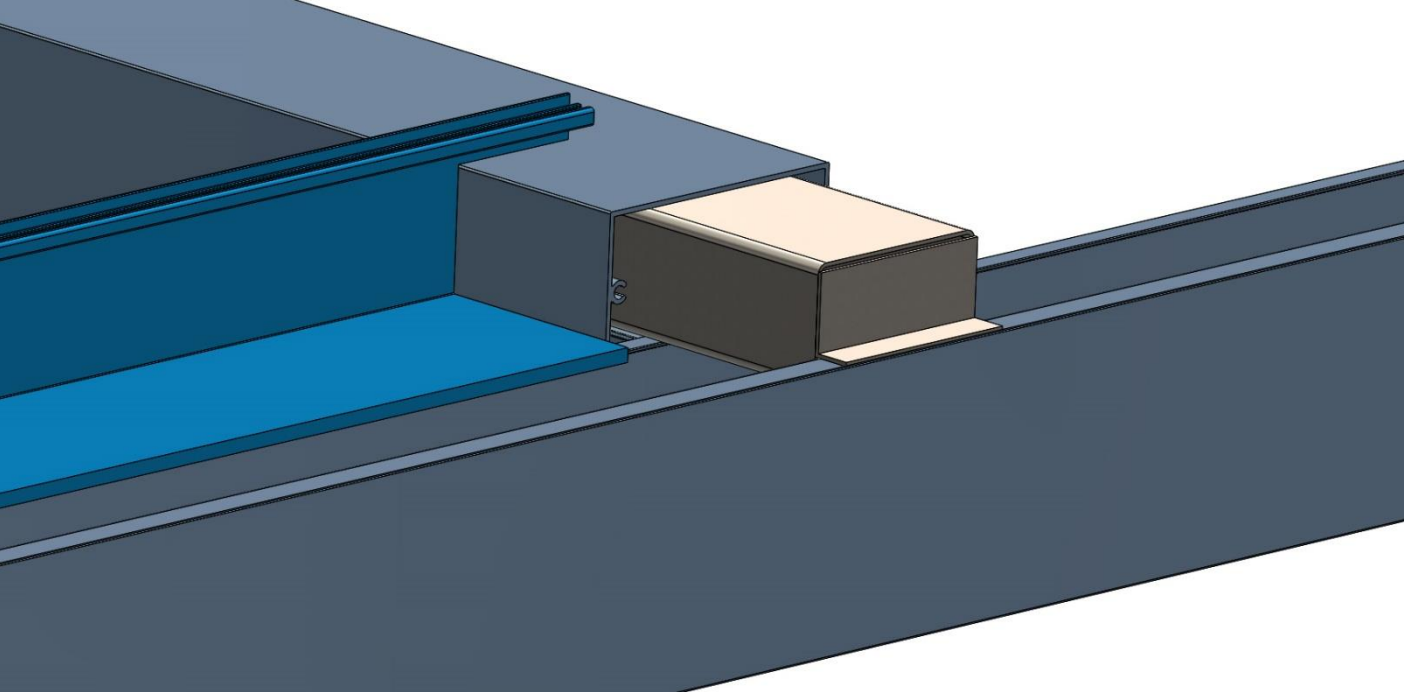


MIDDLE SPORT DETAIL

**NOT: FOR WIDER THAN 4000mm MIDDLE SPORT**

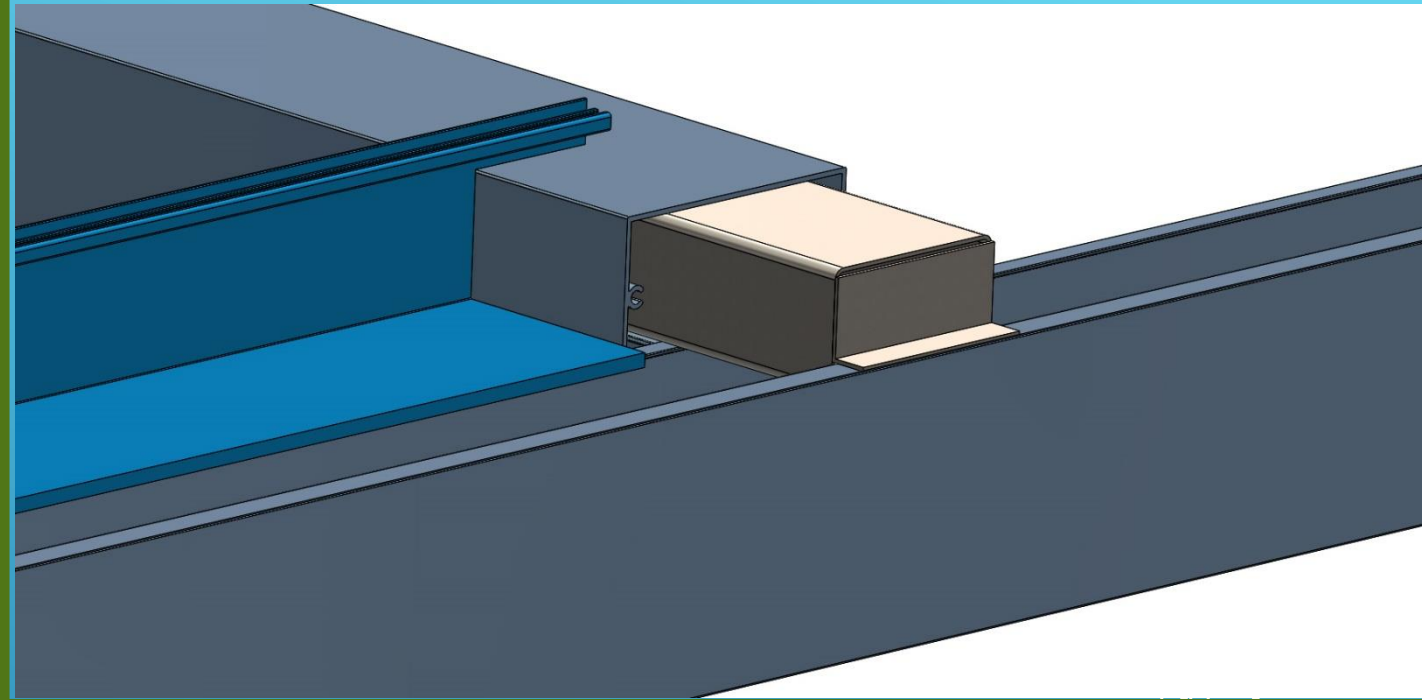


FRONT MIDDLE SPORT DETAIL

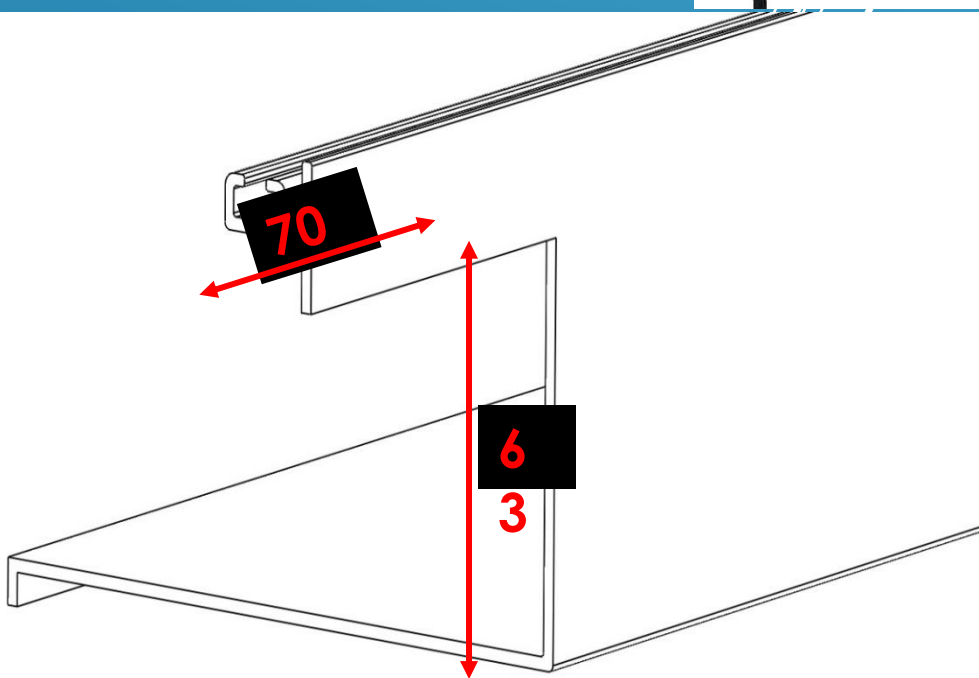


FRONT MIDDLE SPORT DETAIL

**NOT: FOR WIDER THAN 4000mm MIDDLE SPORT**

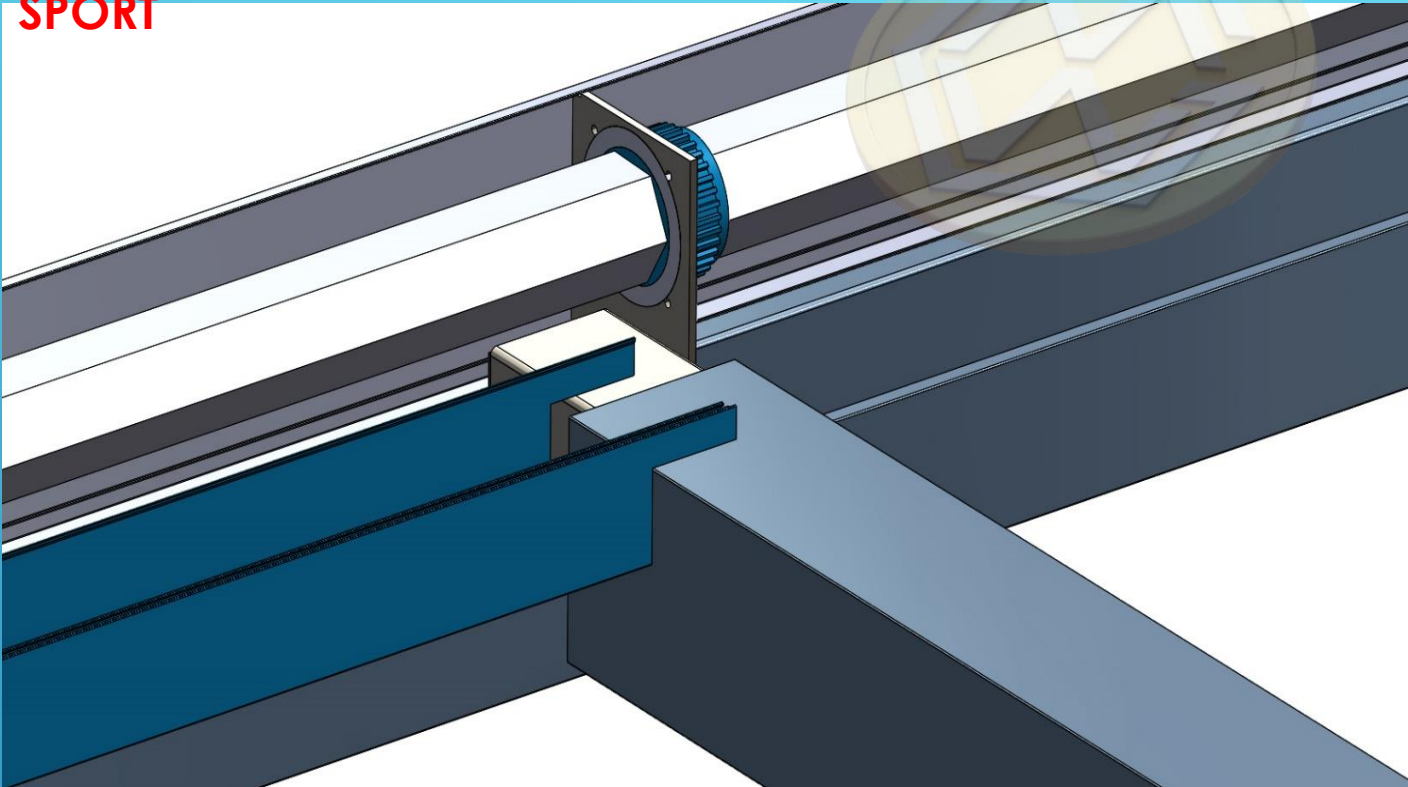


FRONT MIDDLE SPORT DETAIL

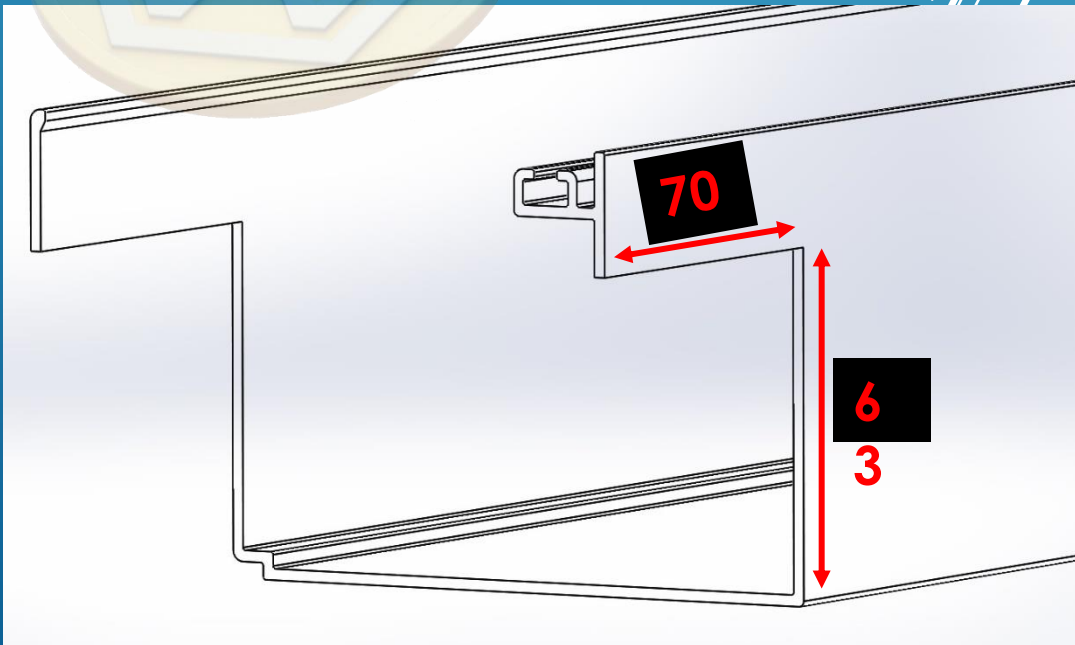


FRONT MIDDLE SPORT DETAIL

**NOT: FOR WIDER THAN 4000mm MIDDLE SPORT**



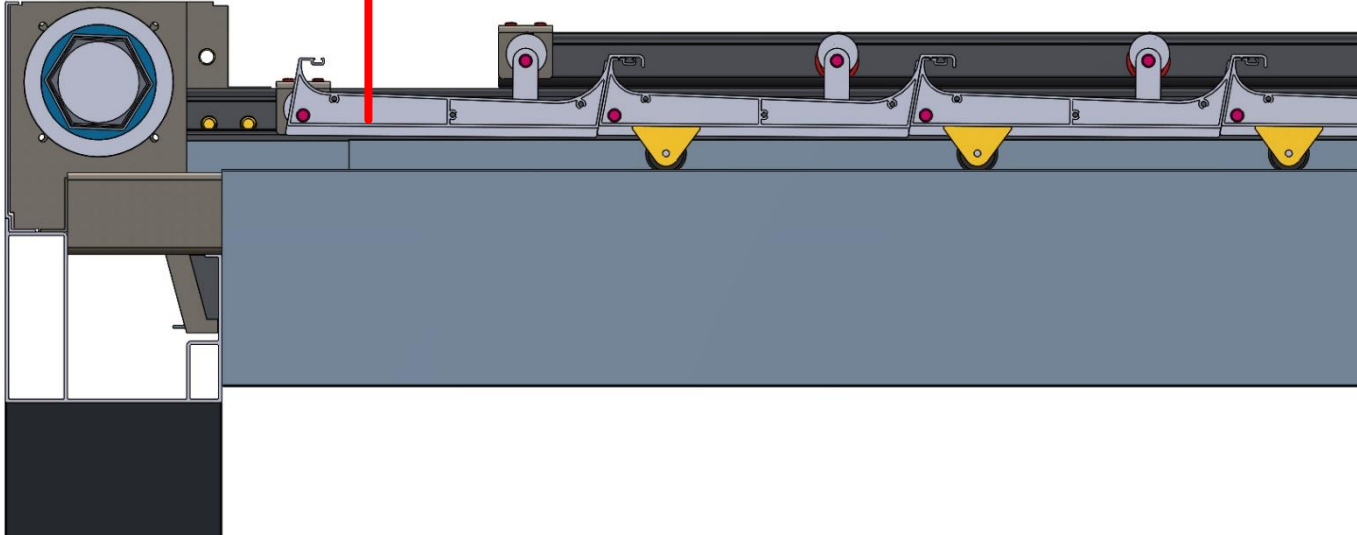
BACK MIDDLE SPORT DETAIL



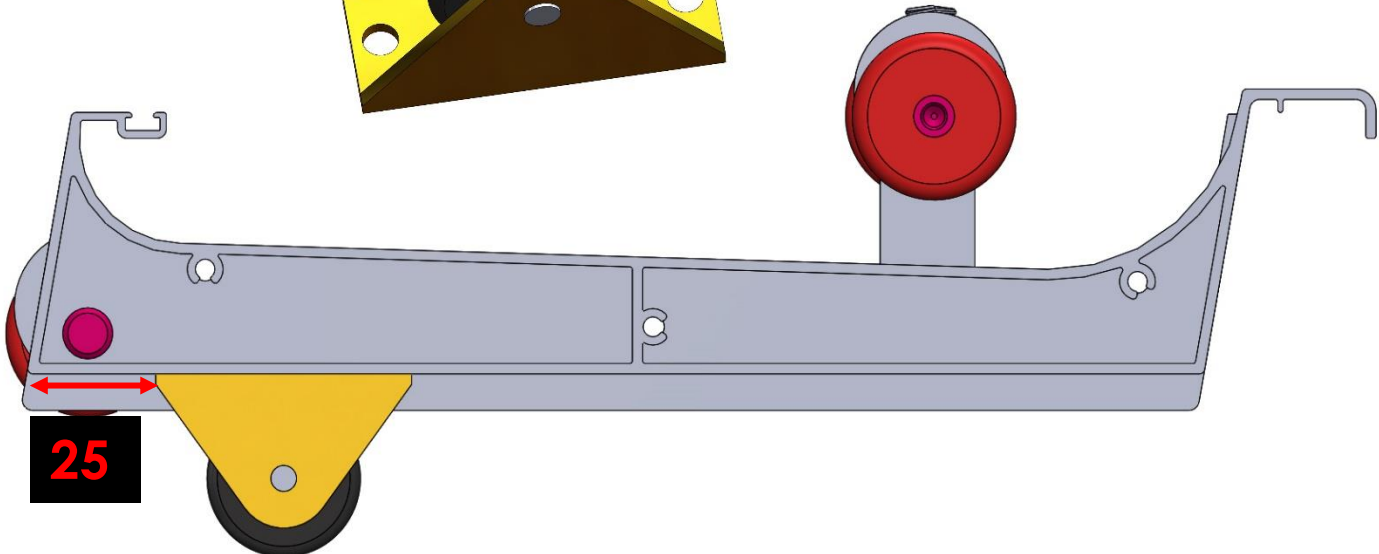
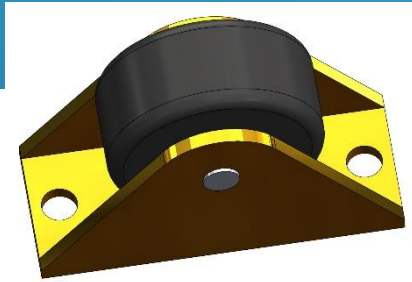
BACK MIDDLE SPORT DETAIL

**NOT: FOR WIDER THAN 4000mm MIDDLE SPORT**

NO WHEEL AT FIX LOUVER



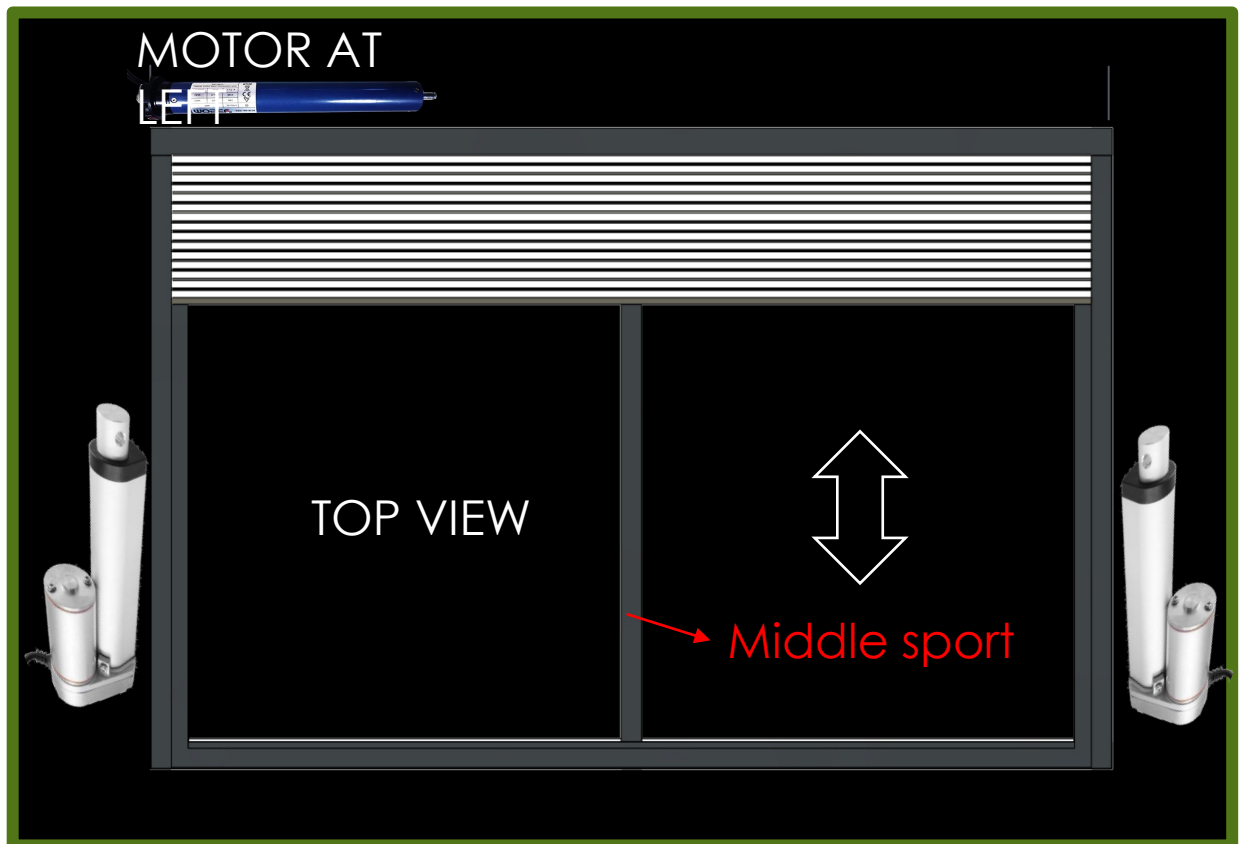
BACK MIDDLE SPORT DETAIL



BACK MIDDLE SPORT DETAIL

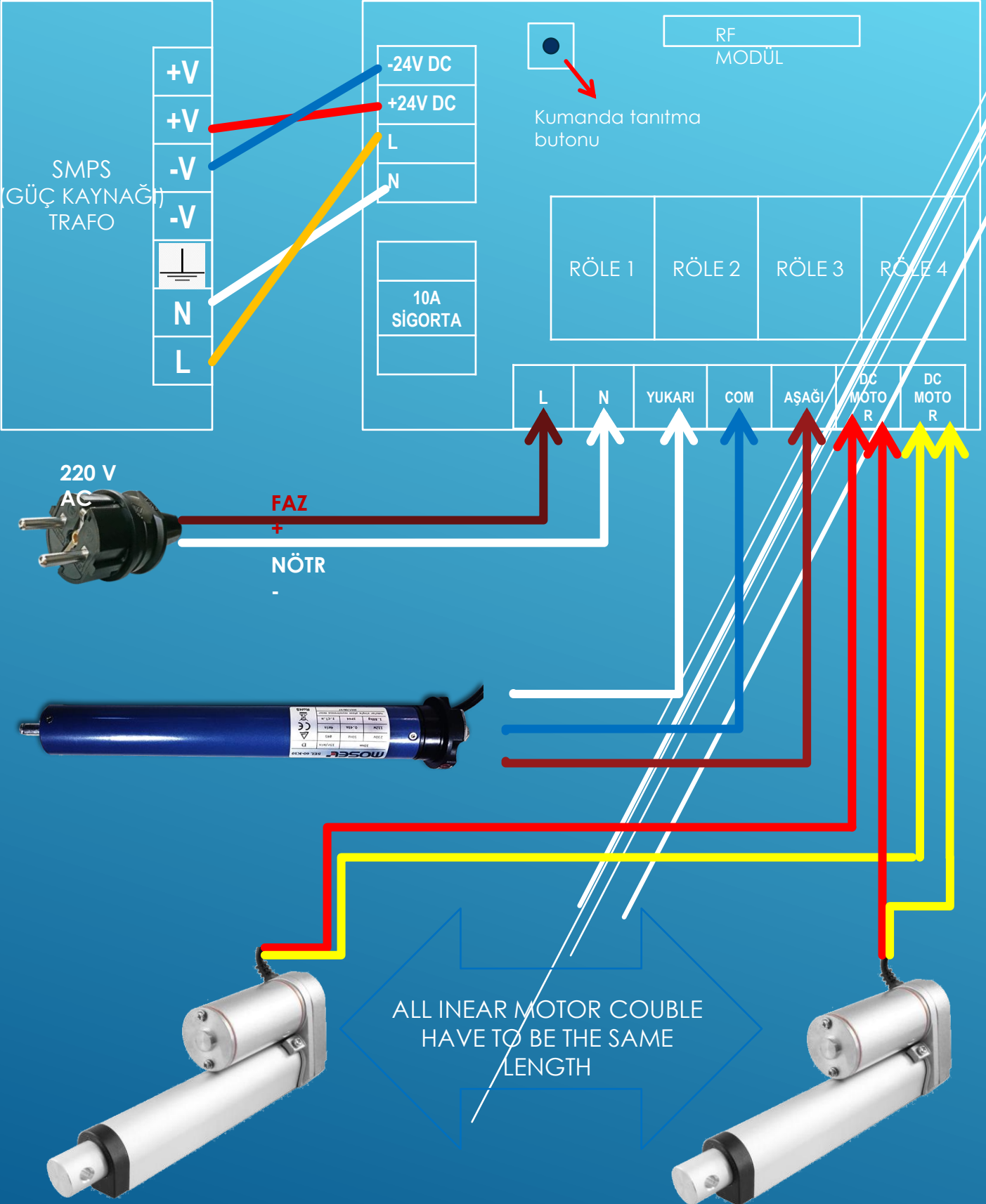
# MOTOR CONNECTION

ROLLINGROOF  
BIOCLIMATIC  
SMARTROOF



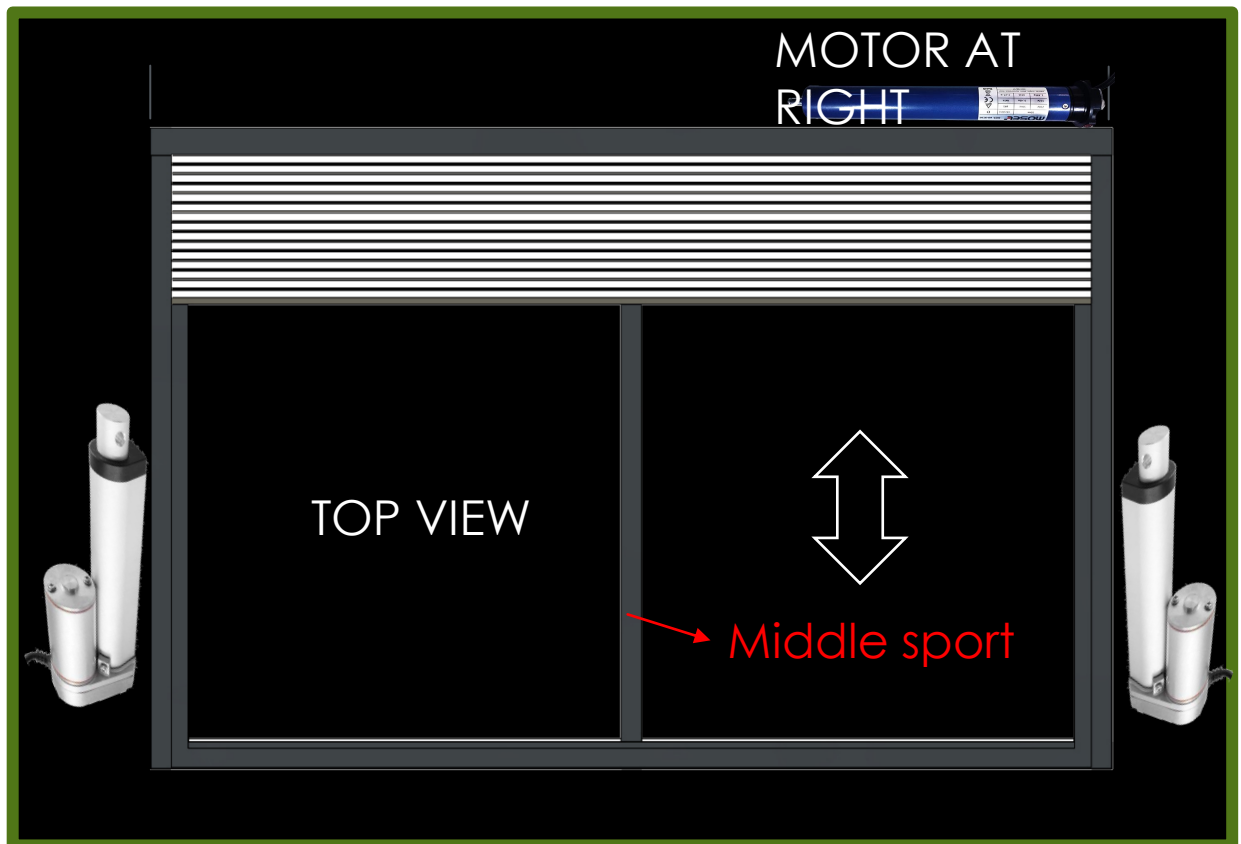
BACK PERGOLA MOTOR IF AT **LEFT** SIDE !

NOT: You have to change only back motor black and brown couple . Other is the same



# MOTOR CONNECTION

ROLLINGROOF  
BIOCLIMATIC  
SMARTROOF

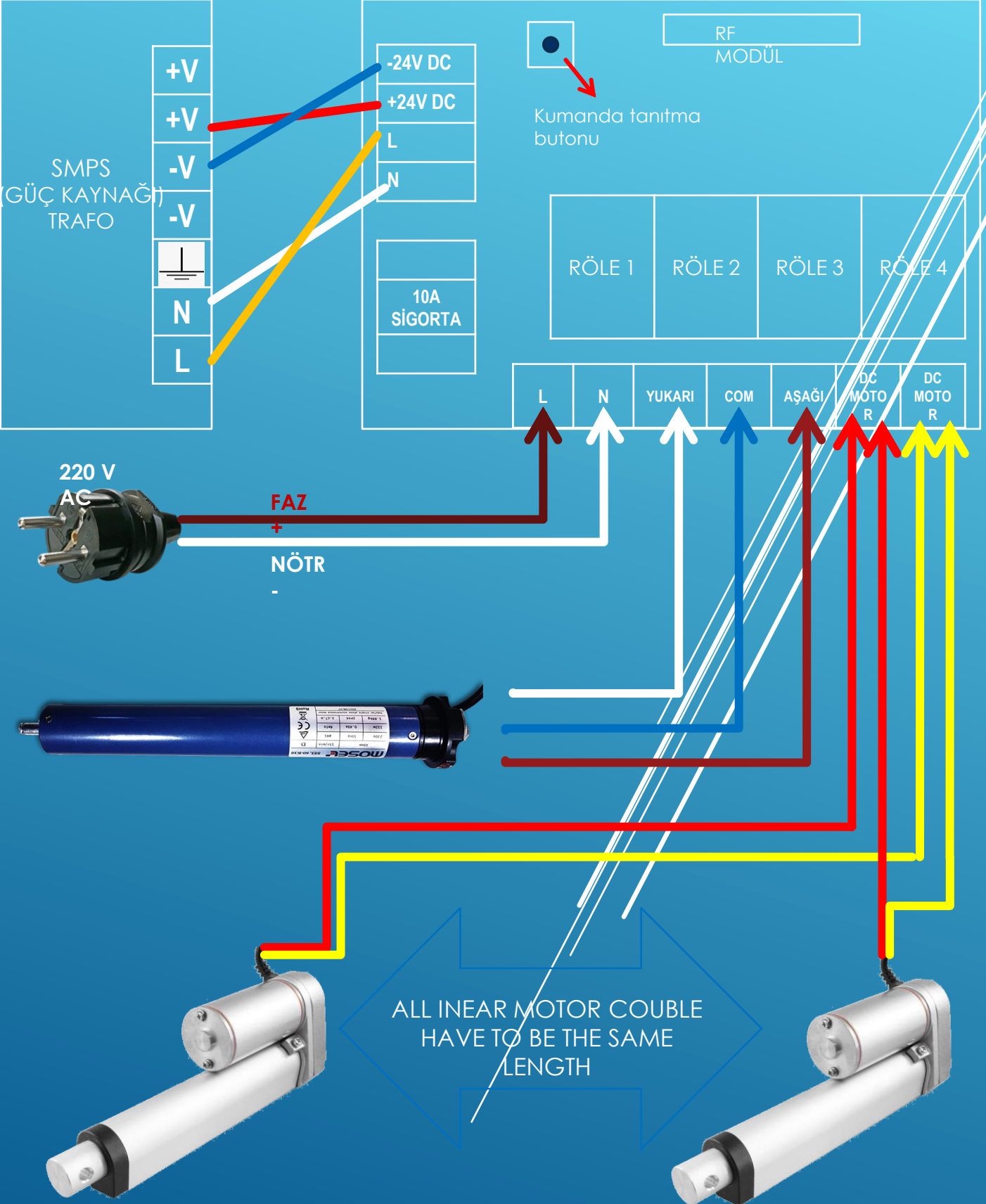




BACK PERGOLA MOTOR IF AT **LEFT** SIDE !



NOT: You have to change only back motor black and brown couple . Other is the same



# INSTALATION STEP

ROLLINGROOF  
BIOCLIMATIC  
SMARTROOF

- 1- WALL PILLAR
- 2- FRONT PILLAR
- 3-BIG FRONT AND BACK GUTTER
- 4- RAIL ( GUIDE)
- 5- BACK MOTOR KIT
- 6- RECIVER ( ALL MOTOR COUBLE CONNECTION)
- 7- CONTROL DIRECTION OF THE MOTORS WITH REMOTE CONTROL
- \* OPEN AND CLOSE TWO TIME TO BE SURE
- 8- SIDE SMALL GUTTER
- 9- BACK SMALL GUTTER
- 10- FRONT SMALL GUTTER
- 11- GASKET OF THE SMALL GUTTERS
- 12- LOUVERS
- 13- TRIGER BELT
- 14- STEEL WIRE

## REMOTE CONTROL SETTINGS

- 1- CHOOSE ONE CHANNEL ON REMOTE CONTROL
- 2- PUCH BUTTON ON RECIVER AND REMOTE CONTROL MIDDLE BUTTON
- 3- WAIT 4-5 SECOND TO FLASH LITTLE LAMP AT RECIVER
- 4- LEFT ALL BUTTONS
- 5- PUCH ONE DIRECTION ON REMOTE CONTROL LINEAR MOTOR WILL OPEN. WAIT TILL STOP LINEAR MOTOR ITS SELF
- 6- PUSH SECOND TIME THE SAME DIRECTION . BACK MOTOR WILL TURN

2- REMOVE SETTING AT RECIVER: PUSH ON RECIVER BUTTON AND SWICH ON ELECTIC. WAIT 4-5 SECOND . IT IS OK

